

.100" × .100" Low Profile Header

Accessories

IMPORTANT NOTICE TO PURCHASER

ALL STATEMENTS, TECHNICAL INFORMATION AND RECOMMENDATIONS CONTAINED HEREIN ARE BASED ON TESTS WE BELIEVE TO BE RELIABLE, BUT THE ACCURACY OR COMPLETENESS THEREOF IS NOT GUARANTEED, AND THE FOLLOWING IS MADE IN LIEU OF ALL WARRANTIES, EXPRESSED OR IMPLIED:

SELLER'S AND MANUFACTURER'S ONLY OBLIGATION SHALL BE TO REPLACE SUCH QUANTITY OF THE PRODUCT PROVED TO BE DEFECTIVE. NEITHER SELLER NOR MANUFACTURER SHALL BE LIABLE FOR ANY INJURY, LOSS OR DAMAGE, DIRECT OR CONSEQUENTIAL, ARISING OUT OF THE USE OF OR THE INABILITY TO USE THE PRODUCT. BEFORE USING, USER SHALL DETERMINE THE SUITABILITY OF THE PRODUCT FOR HIS INTENDED USE, AND USER ASSUMES ALL RISK AND LIABILITY WHATSOEVER IN CONNECTION THEREWITH. NO STATEMENT OR RECOMMENDATION NOT CONTAINED HEREIN SHALL HAVE ANY FORCE OR EFFECT UNLESS IN AN AGREEMENT SIGNED BY OFFICERS OR SELLER AND MANUFACTURER.

Date Issued: October 29, 1997

Connector Pin Qty	Dimension A
10	.81 [20.6]
14	1.02 [25.9]
16	1.12 [28.4]
20	1.32 [33.5]
24	1.52 [38.7]
26	1.63 [41.4]
30	1.83 [46.4]
34	2.03 [51.6]
40	2.33 [59.2]
50	2.83 [71.9]
60	3.33 [84.6]
64	3.53 [89.7]

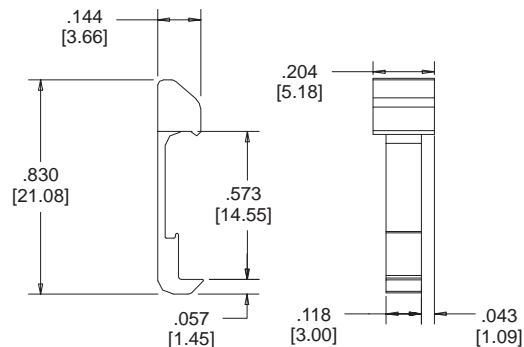
3505-8XXX

Connector Pin Count:
(See Table)

Clip Height Code
0 = .31 [7.9] for Sockets W/O Strain Relief
1 = .53 [13.5] for Sockets with Strain Relief

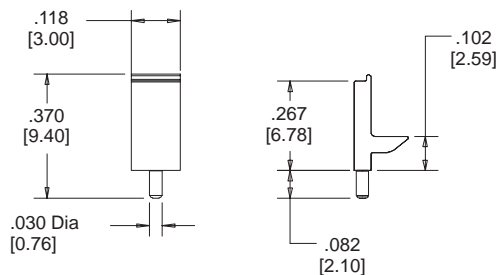
82

Part Number	Material	Color
3505-33	Nylon	Gray

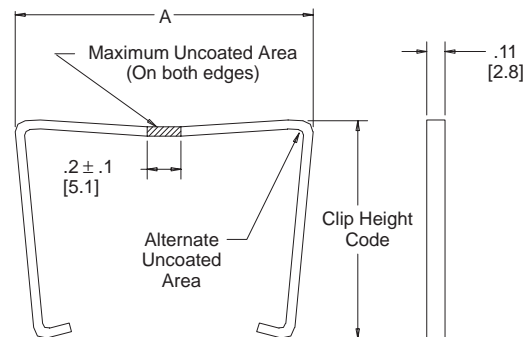


Long Snap In Latch

Part Number	Material	Color
3201-1	PBT	Gray
3201-2	PCT	Beige

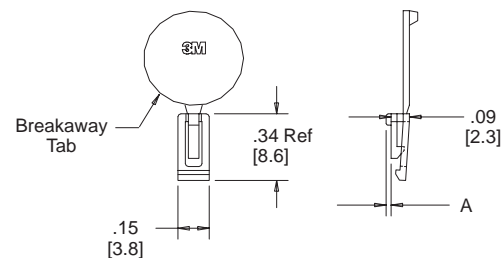


Polarizing Post



Short/Long Socket Retainer Clip

Part Number	Material	Color	Dim A
3518	PBT	Gray	.02



Note: #2216 B/A Scotchweld can be used to adhere keys.

Polarizing Keys

TS-0167-09
Sheet 1 of 1

3M Electronic Products Division

6801 River Place Blvd.
Austin, TX 78726-9000

For technical, sales or ordering information call
800-225-5373