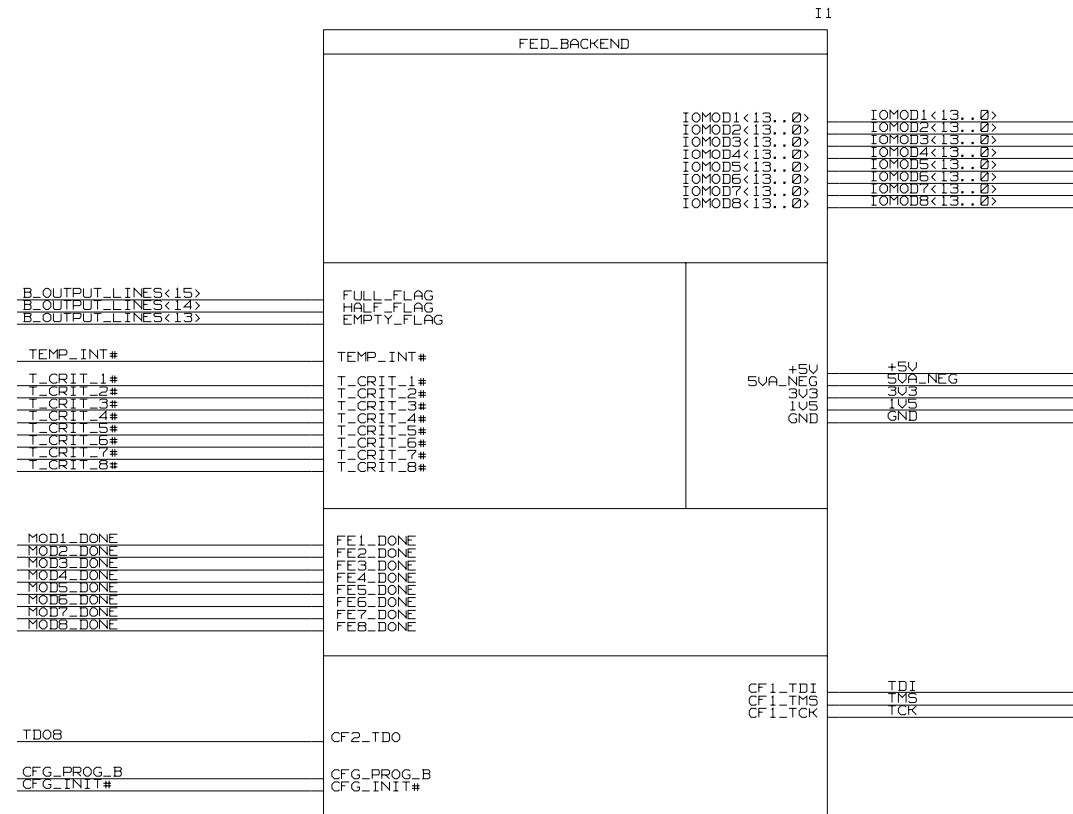
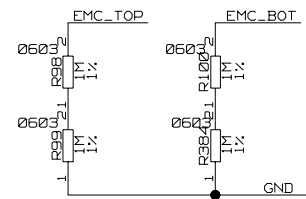


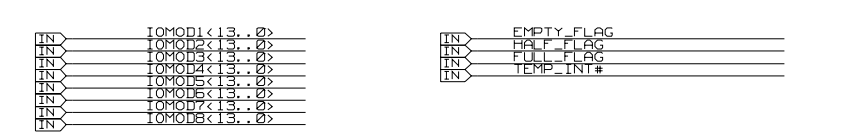
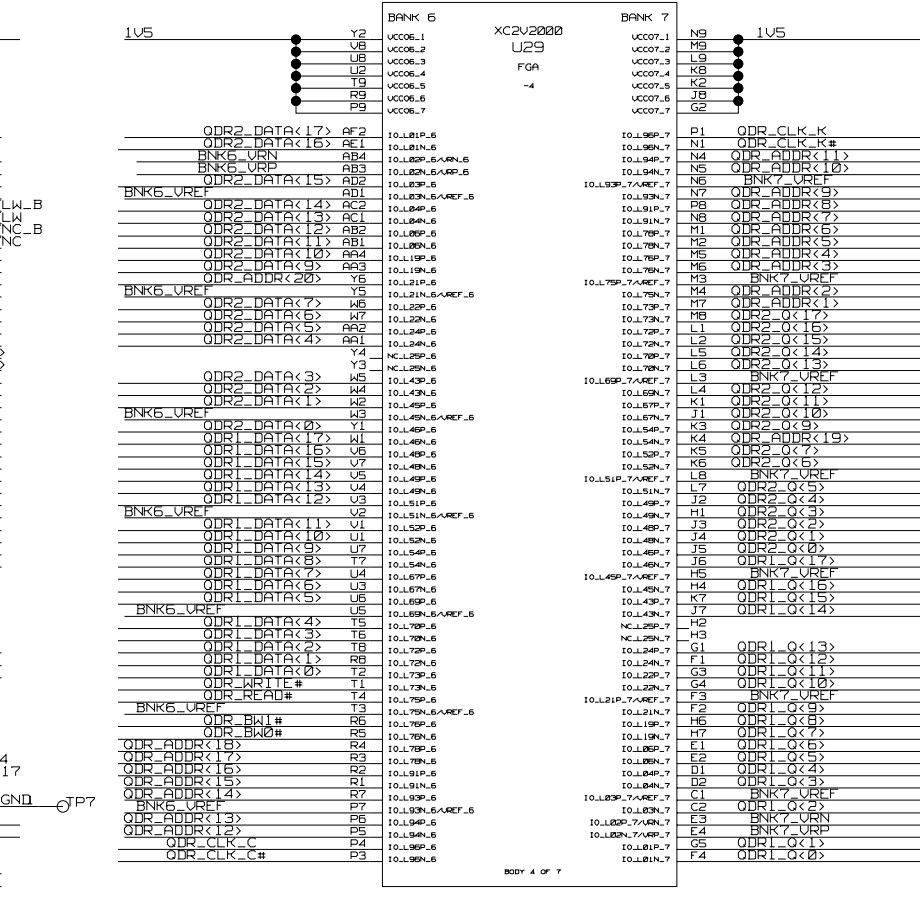
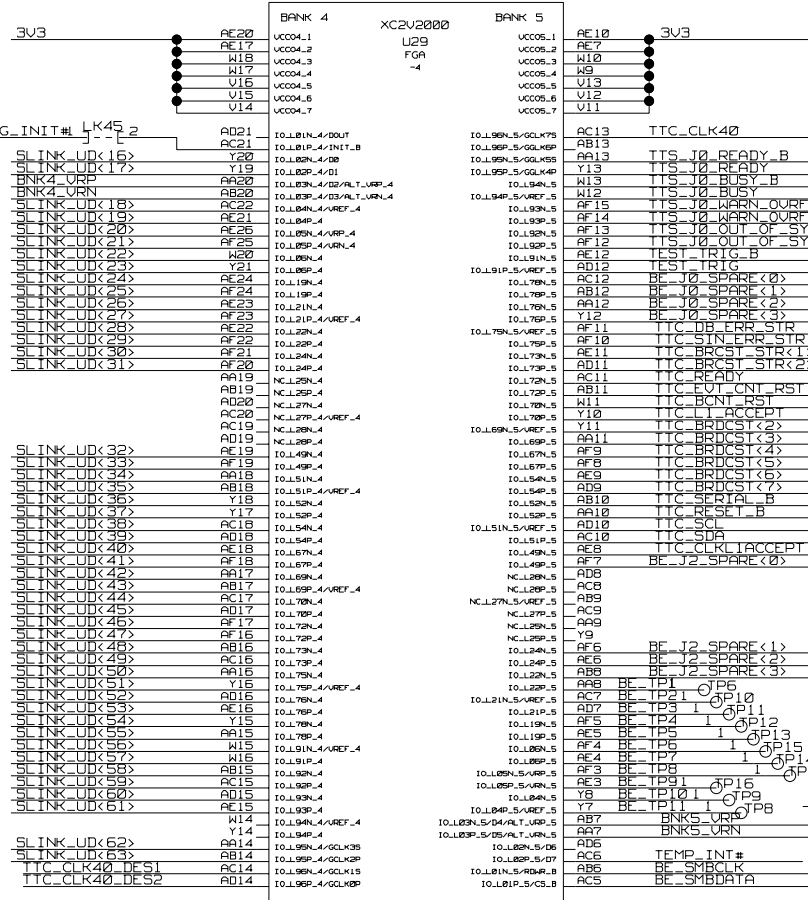
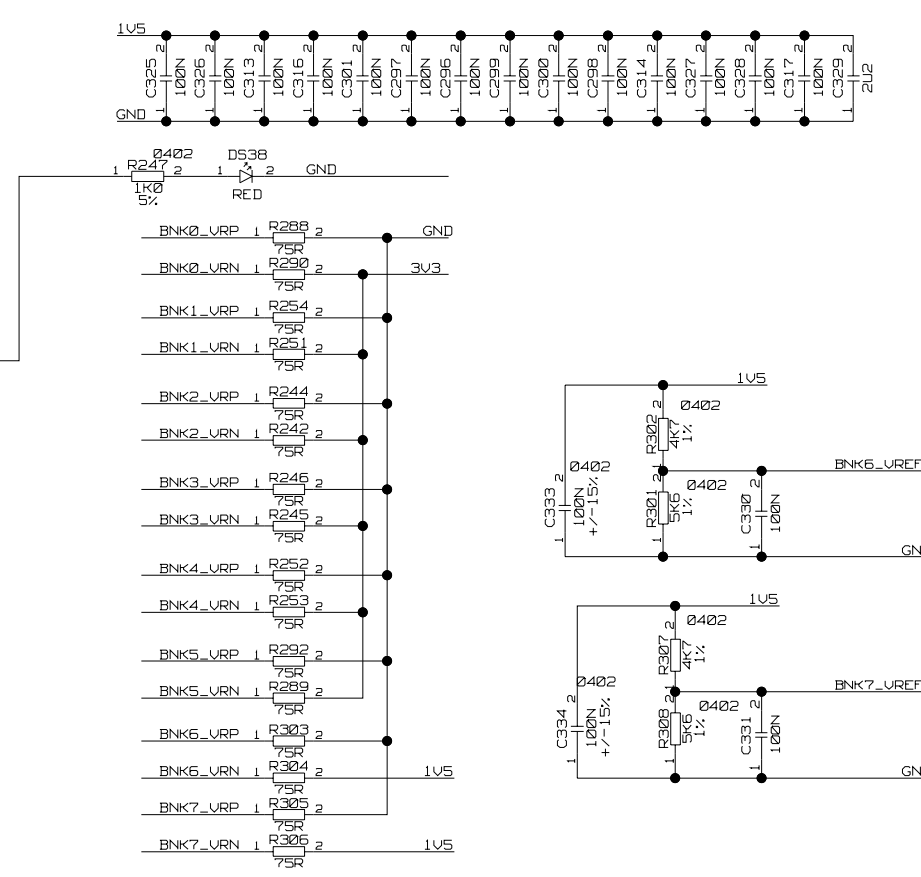
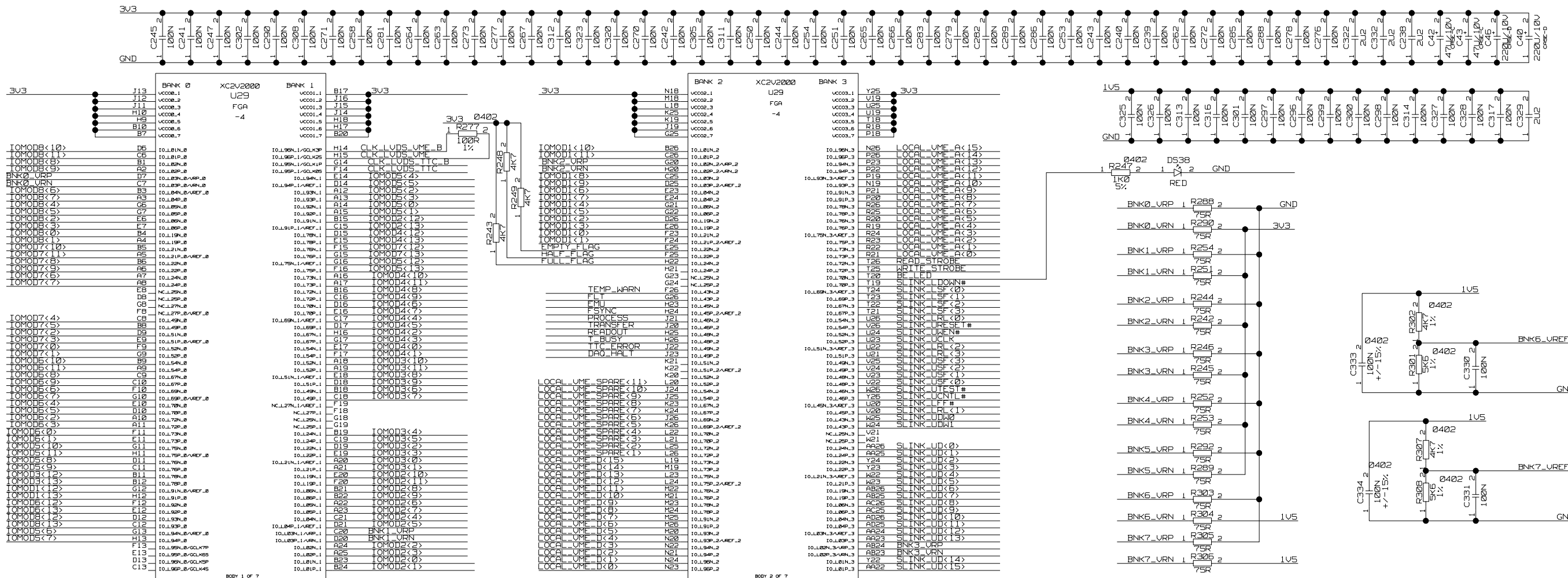
A	28-05-03	----	S. A. BAIRD	S. A. BAIRD	S. A. BAIRD	
ISSUE	DATE	MOD NO.	DRN BY.	CHKD.	APPD.	STATUS
USED ON						© CCLRC 2003
CCLRC COUNCIL FOR THE CENTRAL LABORATORY OF THE RESEARCH COUNCILS			RUTHERFORD APPLETON LABORATORY, CHILTON, OXON OX11 0QX.			
TITLE			PC3252M		CIRCUIT	
			CALICE		TOP LEVEL	
A2-TE-0117-001-01-A						



ESD DISCHARGE RESISTORS



A	28-05-03	----	S. A. BAIRD	S. A. BAIRD	S. A. BAIRD	
ISSUE	DATE	MOD NO.	DRN BY.	CHKD.	APPD.	STATUS
USED ON					© CCLRC 2003	
CCLRC COUNCIL FOR THE CENTRAL LABORATORY RUTHERFORD APPLETON LABORATORY, CHILTON, OXON OX11 0QX. OF THE RESEARCH COUNCILS						
TITLE			PC3252M		CIRCUIT	
			CALICE		TOP LEVEL	
A2-TE-0117-001-02-A						
					TOTAL NO. OF SHEETS 88 <25>	



A	28-05-03	----	S. A. BAIRD	S. A. BAIRD	S. A. BAIRD	
ISSUE	DATE	MOD NO.	DRN BY.	CHKD.	APPD.	STATUS

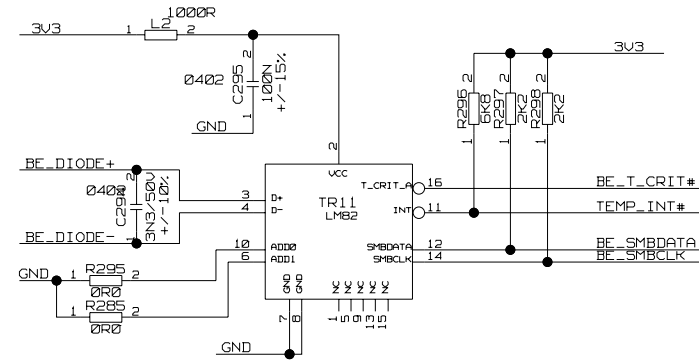
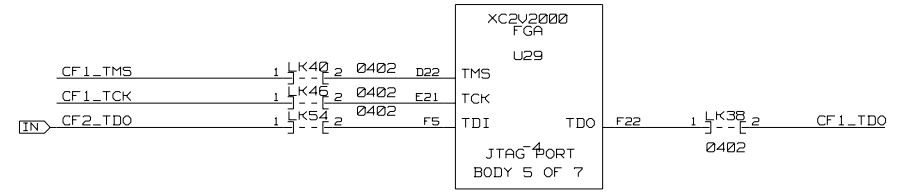
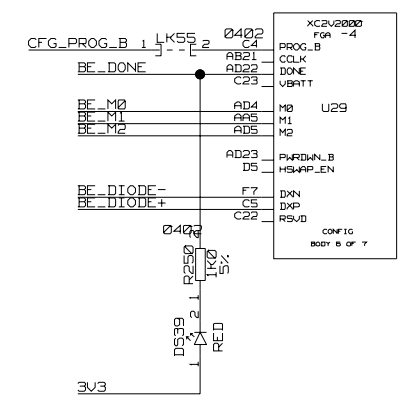
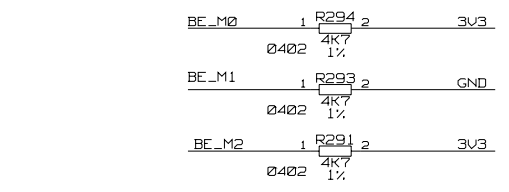
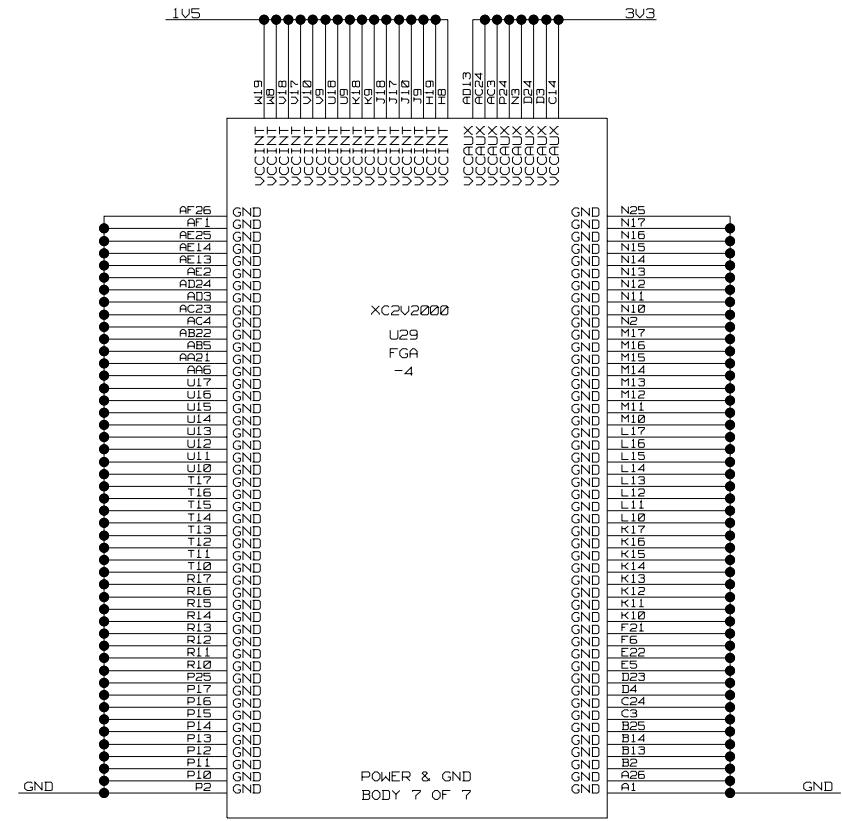
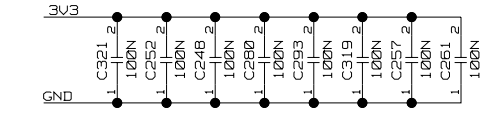
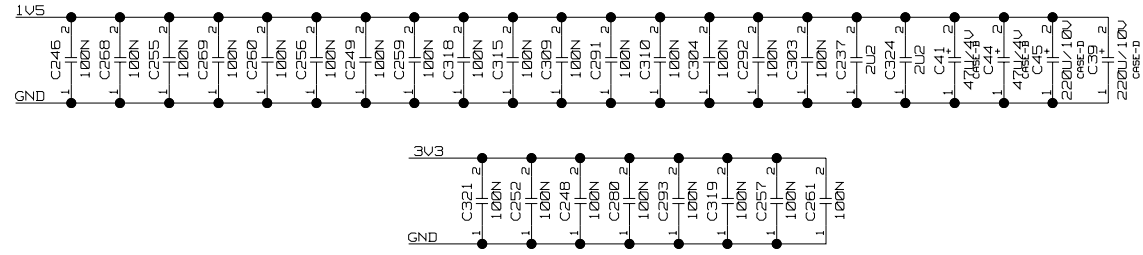
USED ON © CCLRC 2003

CCLRC COUNCIL FOR THE CENTRAL LABORATORY OF THE RESEARCH COUNCILS RUTHERFORD APPLETON LABORATORY, CHILTON, OXON OX11 0QX.

TITLE **PC3252M** **CIRCUIT**

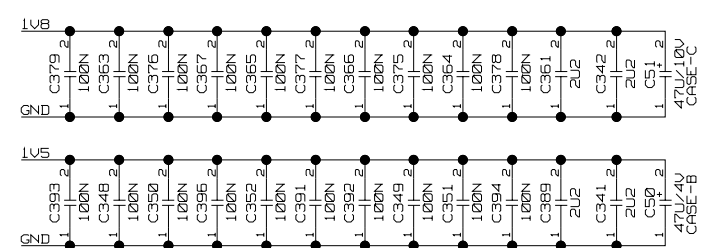
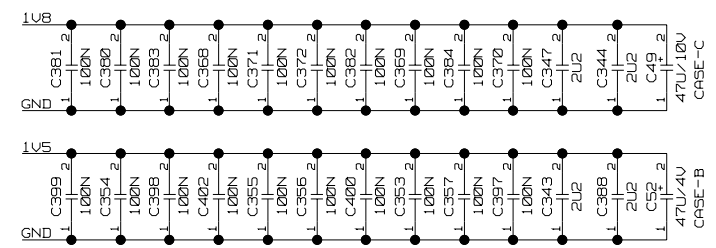
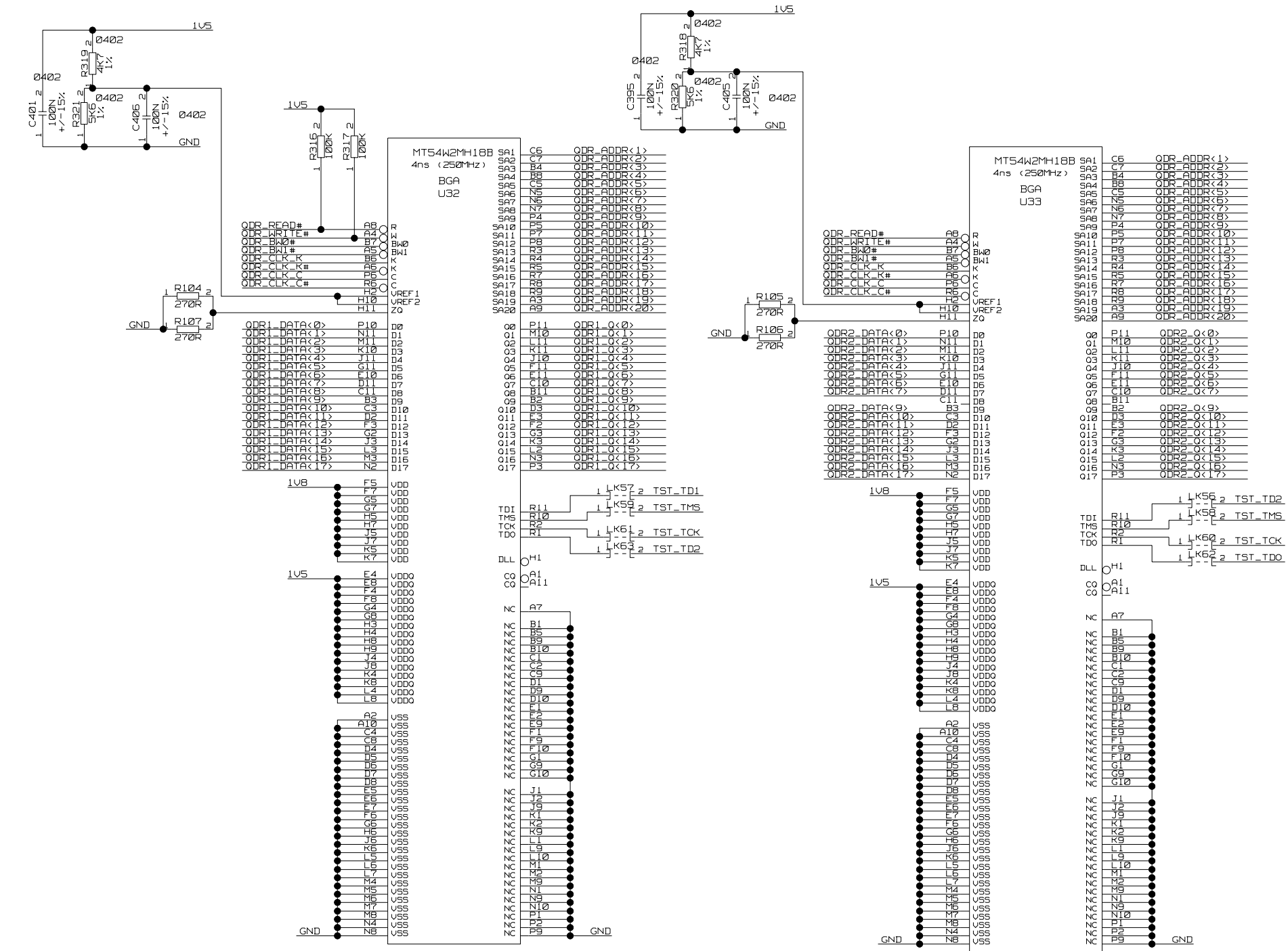
CALICE  
BACK END FPGA

A2-TE-0117-001-03-A

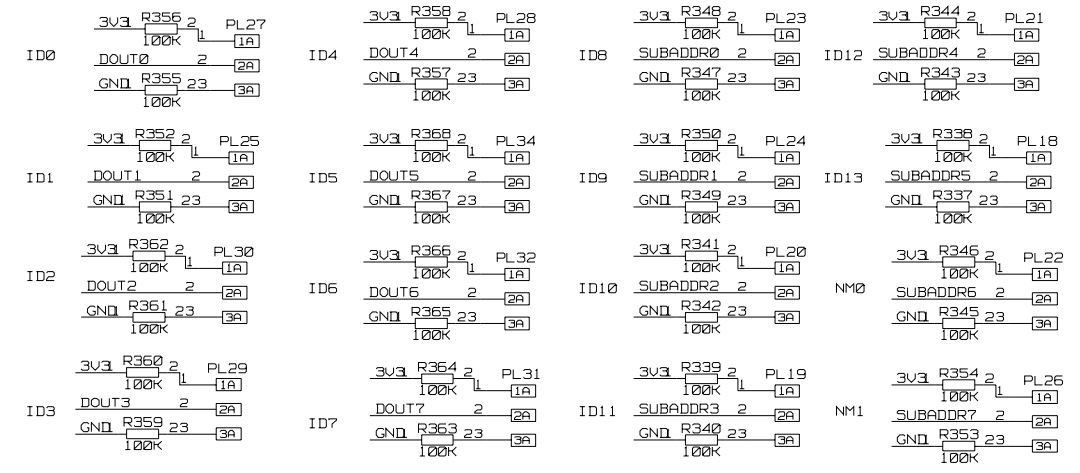


A	28-05-03	----	S. A. BAIRD	S. A. BAIRD	S. A. BAIRD	
ISSUE	DATE	MOD NO.	DRN BY.	CHKD.	APPD.	STATUS
USED ON						© CCLRC 2003
CCLRC COUNCIL FOR THE CENTRAL LABORATORY OF THE RESEARCH COUNCILS						
RUTHERFORD APPLETON LABORATORY, CHILTON, OXON OX11 0QX.						
TITLE			PC3252M		CIRCUIT	
CALICE BACK END FPGA						
A2-TE-0117-001-04-A						
						TOTAL NO. OF SHEETS
						88 <25>

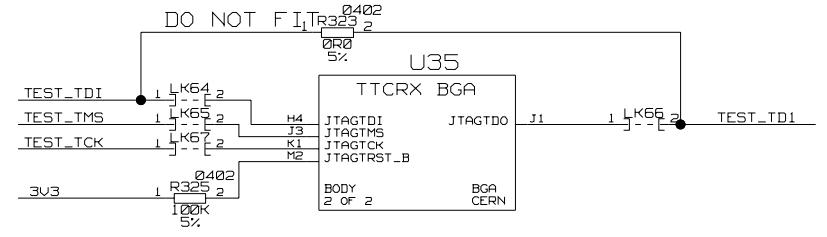
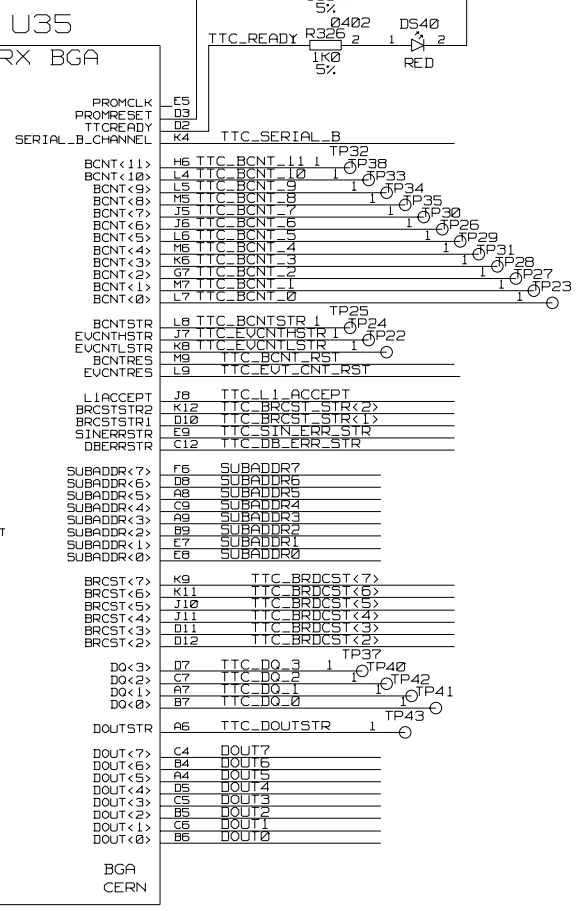
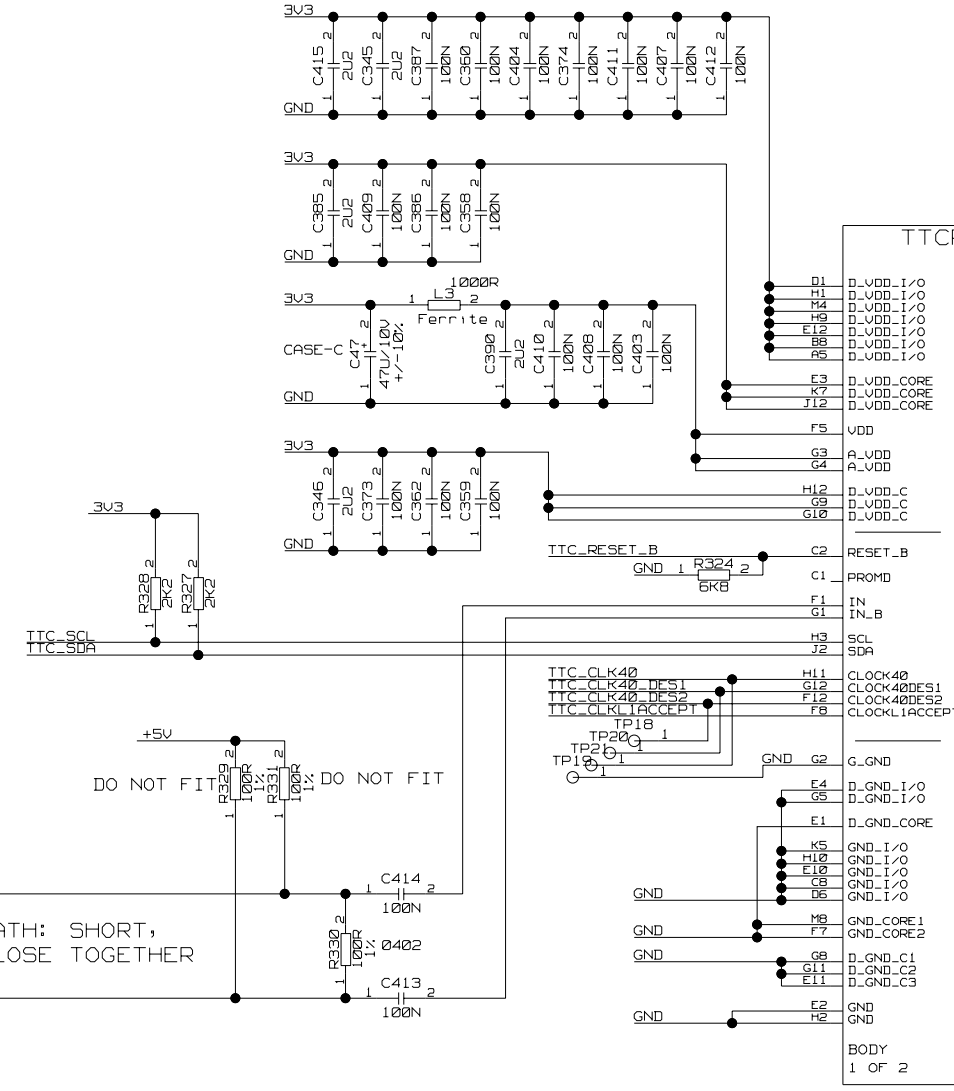
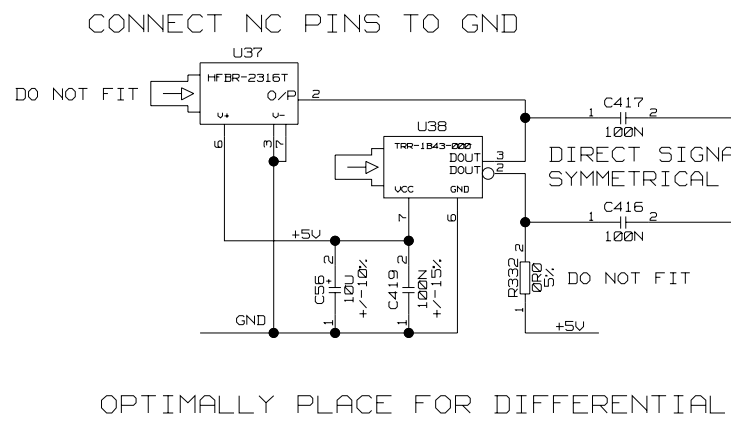
A 2-TE-0117-001-04-A



A	28-05-03	----	S. A. BAIRD	S. A. BAIRD	S. A. BAIRD	
ISSUE	DATE	MOD NO.	DRN BY.	CHKD.	APPD.	STATUS
USED ON					© CCLRC 2003	
CCLRC COUNCIL FOR THE CENTRAL LABORATORY OF THE RESEARCH COUNCILS RUTHERFORD APPLETON LABORATORY, CHILTON, OXON OX11 0QX.						
TITLE			PC3252M		CIRCUIT	
CALICE ODR MEMORY						
A2-TE-0117-001-05-A						



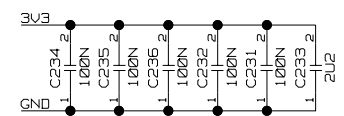
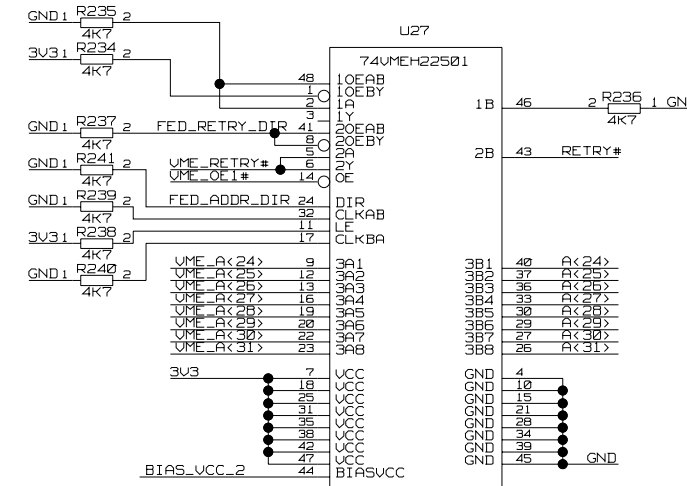
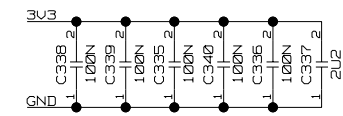
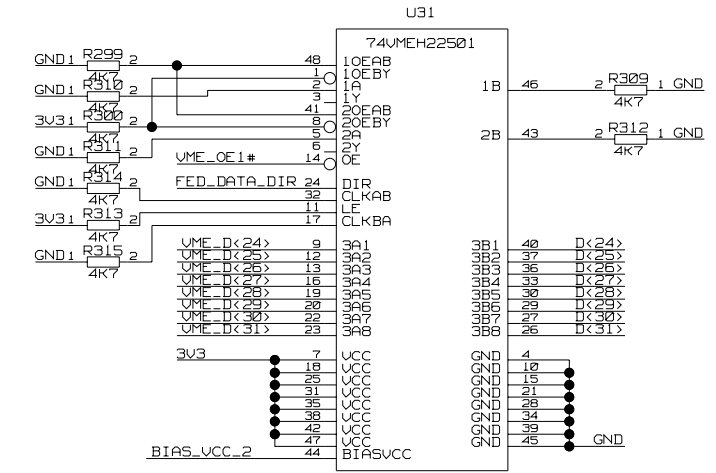
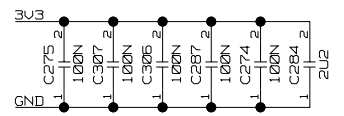
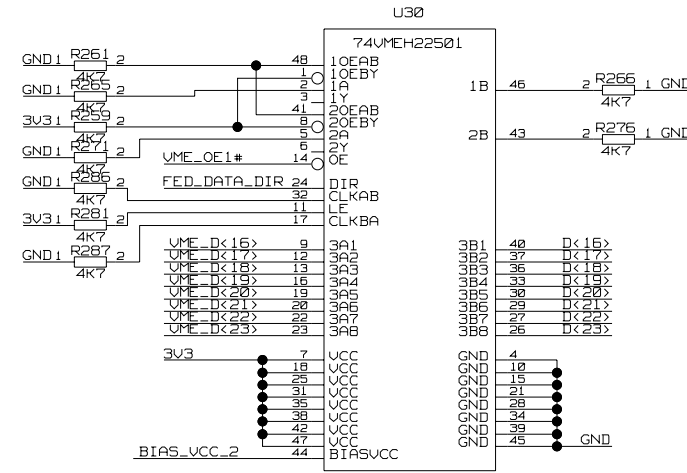
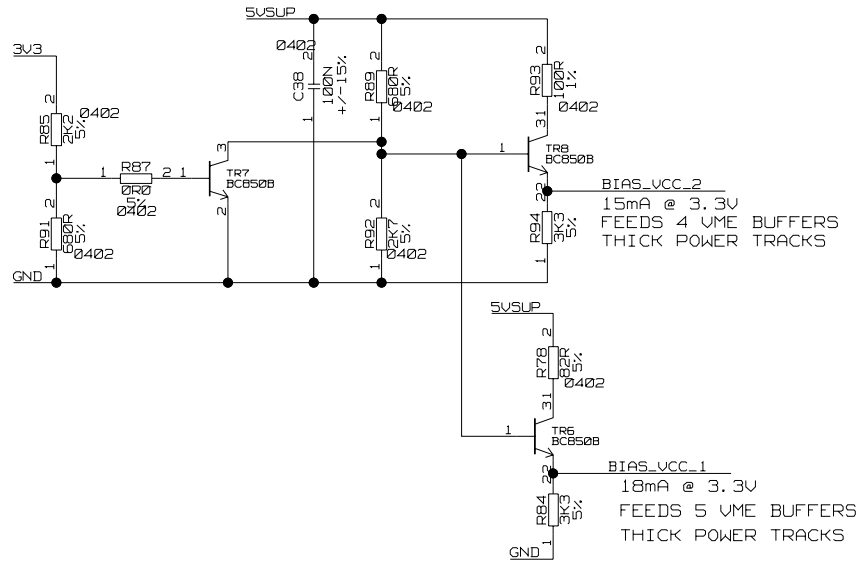
NM0 AND NM1 SHOULD BE SET TO GND FOR NORMAL OPERATION



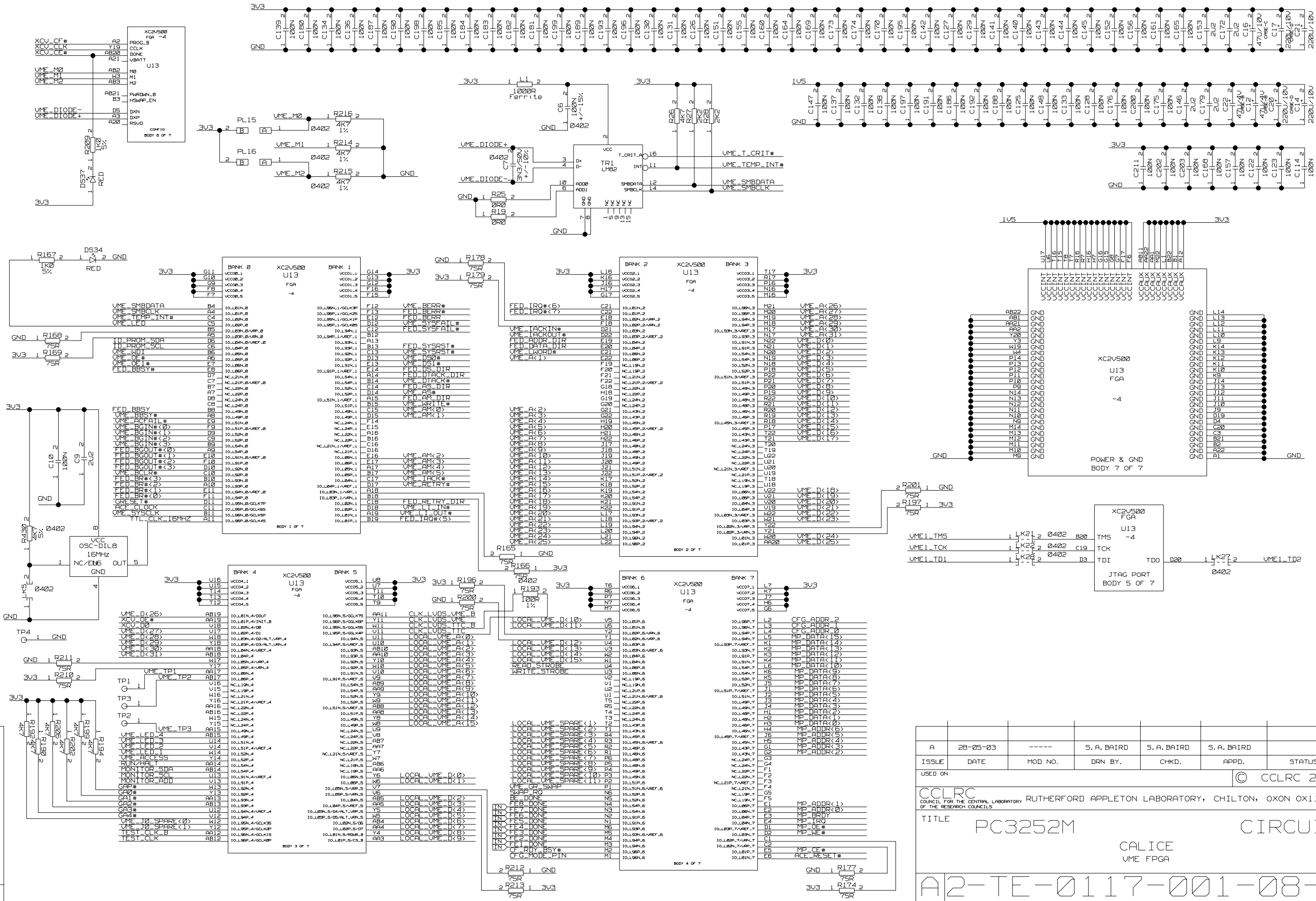
DO NOT FIT SINGLE-ENDED PIN DIODE OPTION

A	28-05-03	----	S. A. BAIRD	S. A. BAIRD	S. A. BAIRD	
ISSUE	DATE	MOD NO.	DRN BY.	CHKD.	APPD.	STATUS
USED ON						© CCLRC 20 03
CCLRC			RUTHERFORD APPLETON LABORATORY, CHILTON, OXON OX11 0QX.			
TITLE			PC3252M		CIRCUIT	
			CALICE		TTC RECEIVER AND PIN DIODE CONNECTOR	
A2-TE-0117-001-06-A						
						TOTAL NO. OF SHEETS 88 <25>

A 2-TE-0117-001-06-A

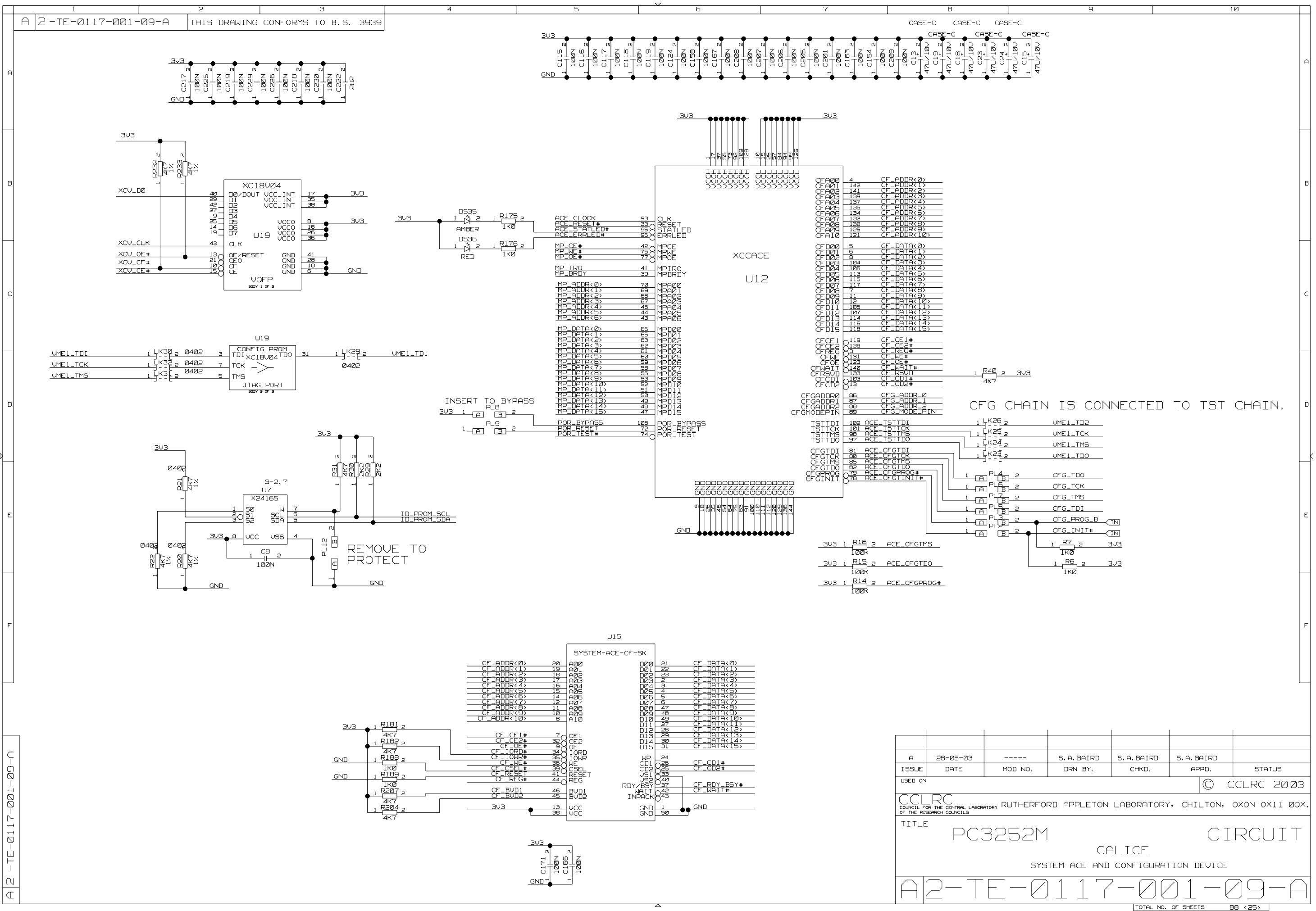


A	28-05-03	----	S. A. BAIRD	S. A. BAIRD	S. A. BAIRD	
ISSUE	DATE	MOD NO.	DRN BY.	CHKD.	APPD.	STATUS
USED ON					© CCLRC 2003	
CCLRC COUNCIL FOR THE CENTRAL LABORATORY RUTHERFORD APPLETON LABORATORY, CHILTON, OXON OX11 0QX.						
TITLE PC3252M CALICE CIRCUIT						
J2 VME INTERFACE AND PRECHARGE CIRCUIT						
A2-TE-0117-001-07-A						

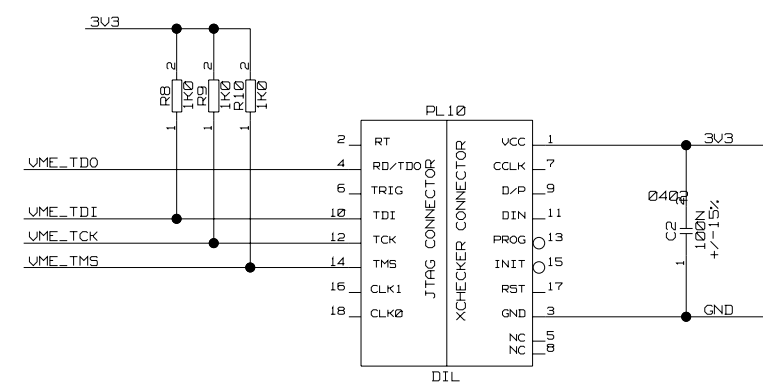
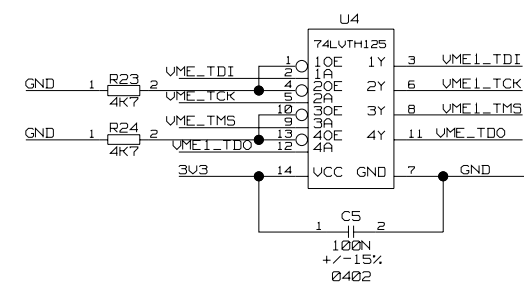
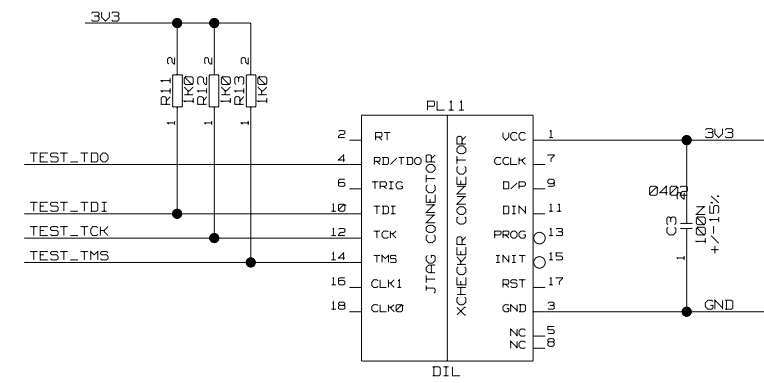
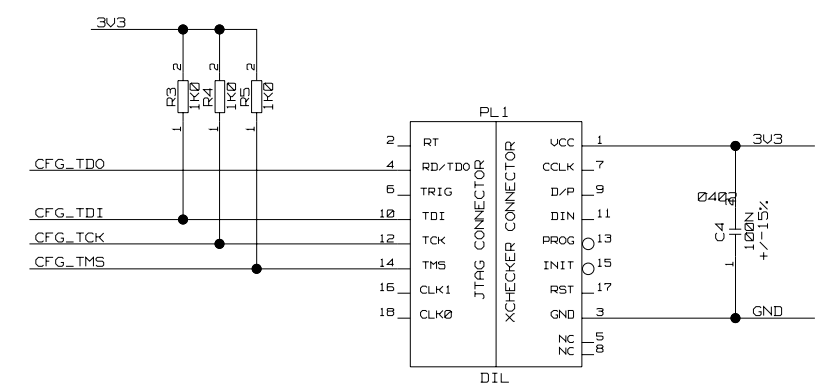
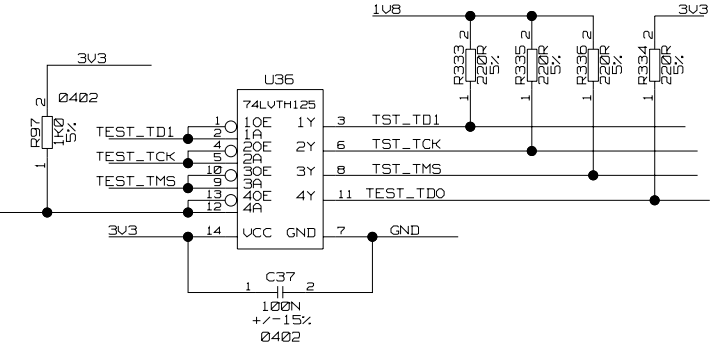
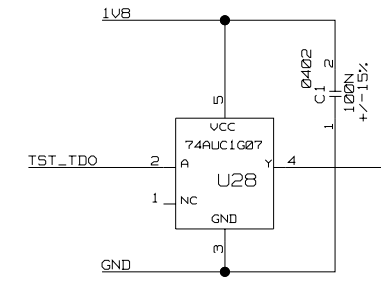
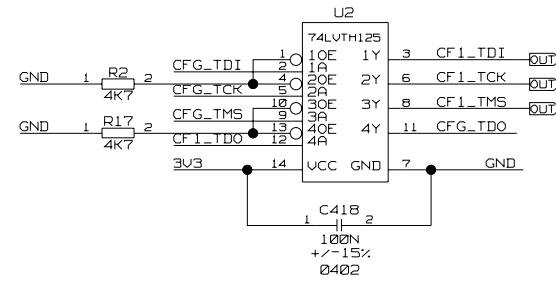
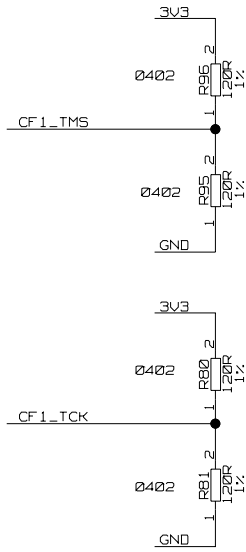


A	28-05-03	----	S. A. BAIRD	S. A. BAIRD	S. A. BAIRD	
ISSUE	DATE	MOD NO.	DRN BY.	CHKD.	APPD.	STATUS
USED ON						© CCLRC 2003
CCLRC COUNCIL FOR THE CENTRAL LABORATORY OF THE RESEARCH COUNCILS						
RUTHERFORD APPLETON LABORATORY, CHILTON, OXON OX11 0QX.						
TITLE			PC3252M			
			CIRCUIT			
			CALICE			
			UME FPGA			
A2-TE-0117-001-08-A						

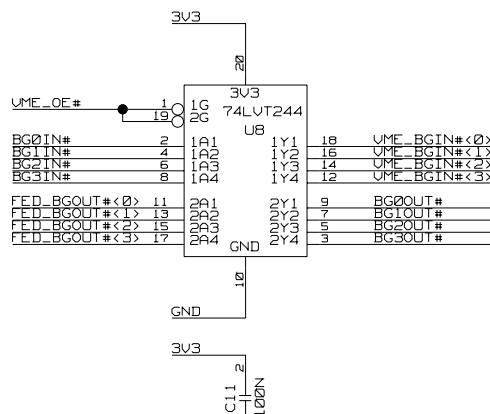
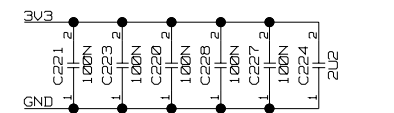
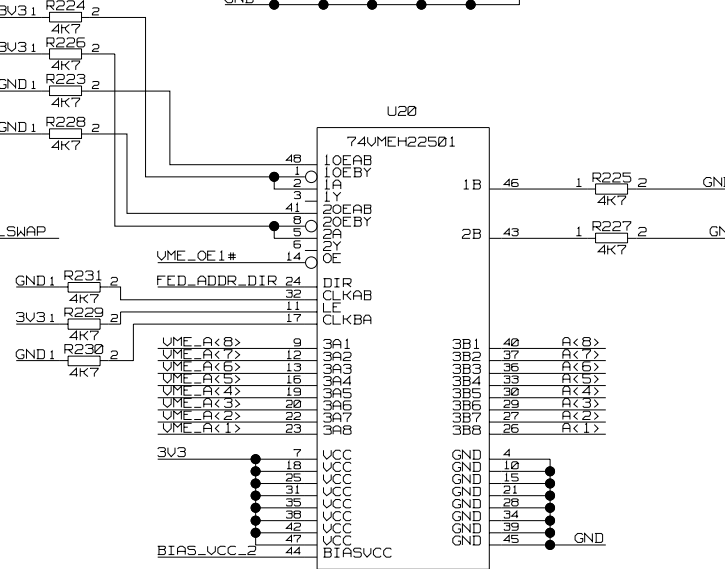
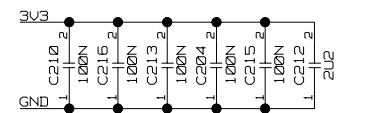
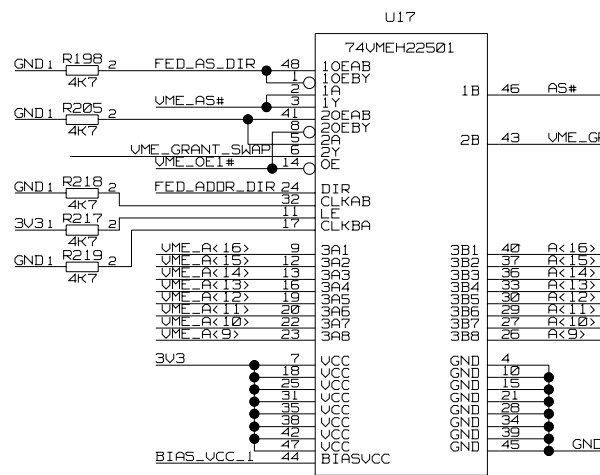
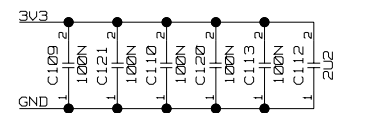
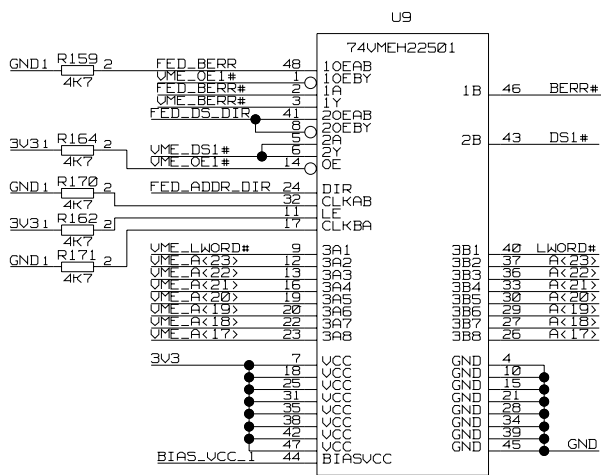
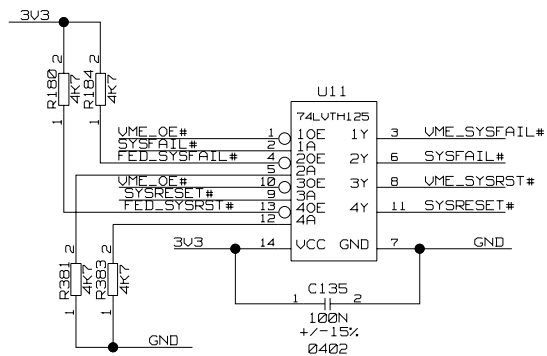
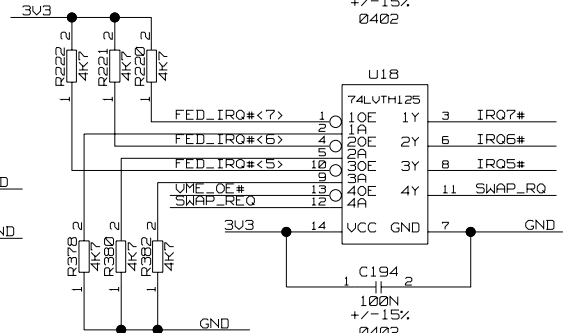
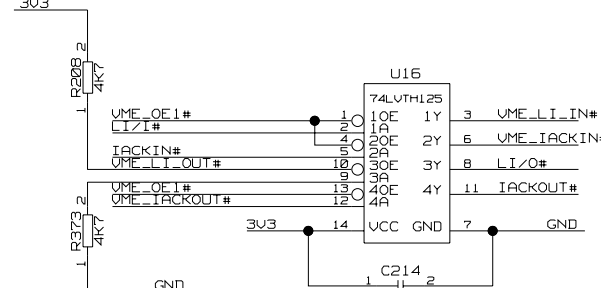
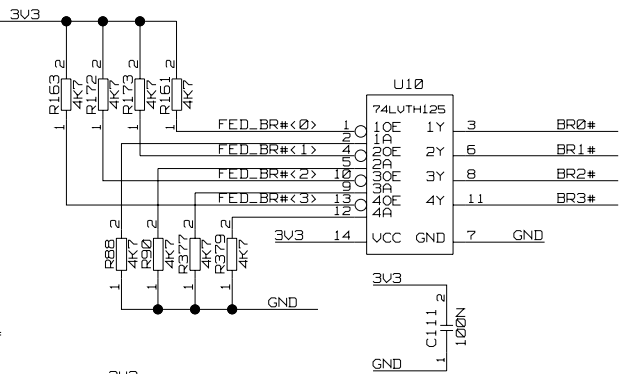
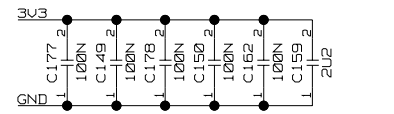
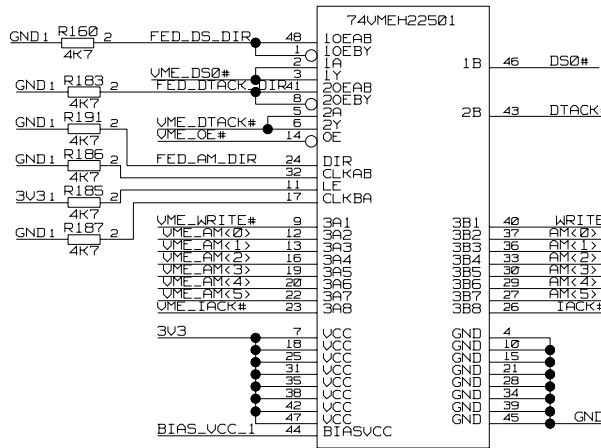
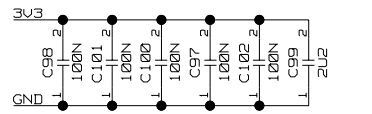
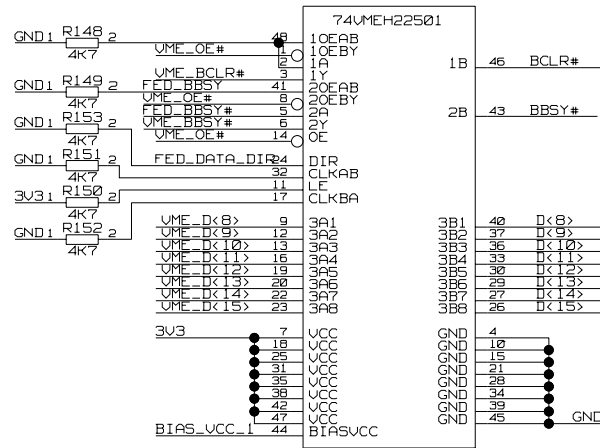
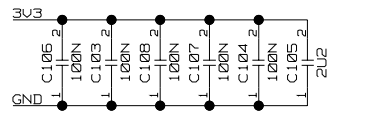
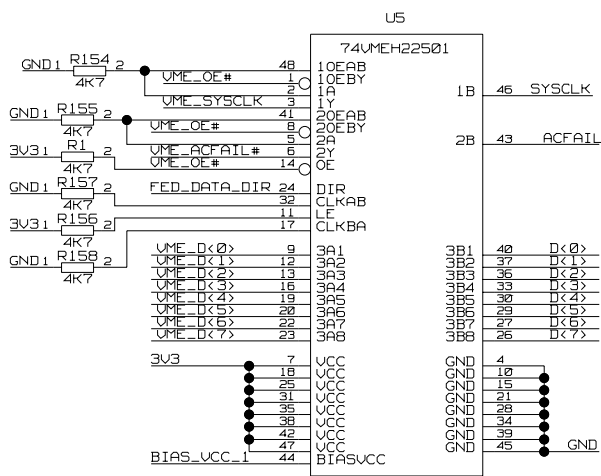




A	28-05-03	-----	S. A. BAIRD	S. A. BAIRD	S. A. BAIRD	
ISSUE	DATE	MOD NO.	DRN BY.	CHKD.	APPD.	STATUS
USED ON						© CCLRC 2003
CCLRC COUNCIL FOR THE CENTRAL LABORATORY OF THE RESEARCH COUNCILS RUTHERFORD APPLETON LABORATORY, CHILTON, OXON OX11 0QX.						
TITLE			PC3252M		CIRCUIT	
			CALICE		SYSTEM ACE AND CONFIGURATION DEVICE	
A2-TE-0117-001-09-A						
TOTAL NO. OF SHEETS 88 <25>						



A	28-05-03	----	S. A. BAIRD	S. A. BAIRD	S. A. BAIRD	
ISSUE	DATE	MOD NO.	DRN BY.	CHKD.	APPD.	STATUS
USED ON						© CCLRC 2003
CCLRC COUNCIL FOR THE CENTRAL LABORATORY OF THE RESEARCH COUNCILS						
RUTHERFORD APPLETON LABORATORY, CHILTON, OXON OX11 0QX.			TITLE			
PC3252M			CIRCUIT			
CALICE			JTAG CONNECTORS AND BUFFERS			
A2-TE-0117-001-10-A						

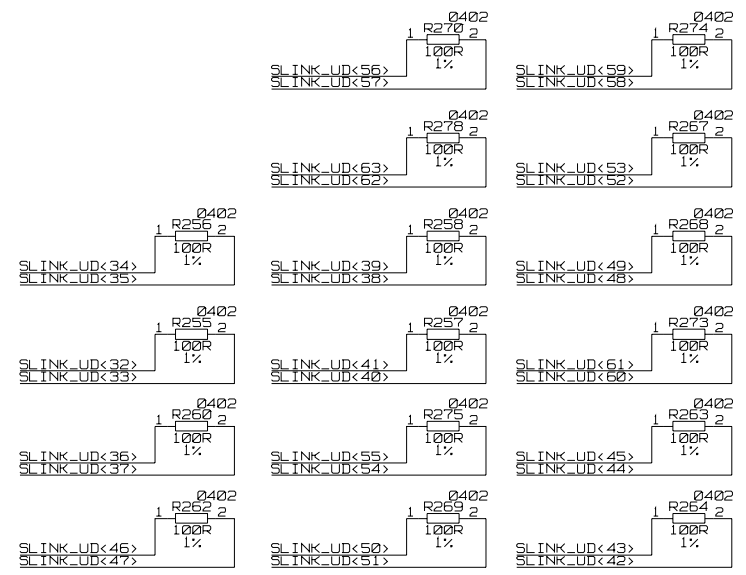
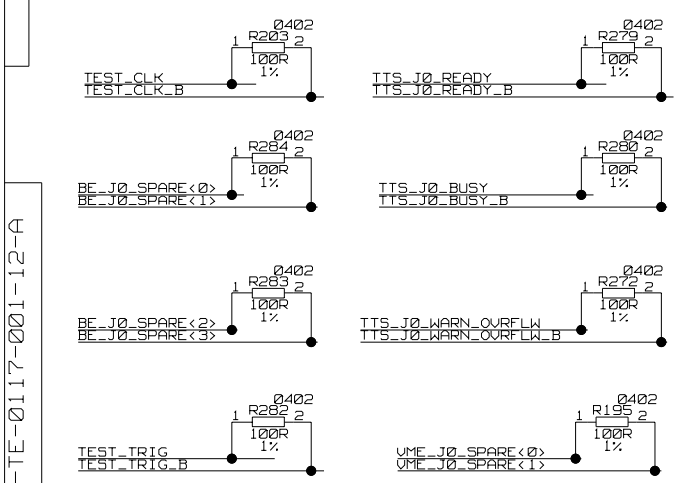
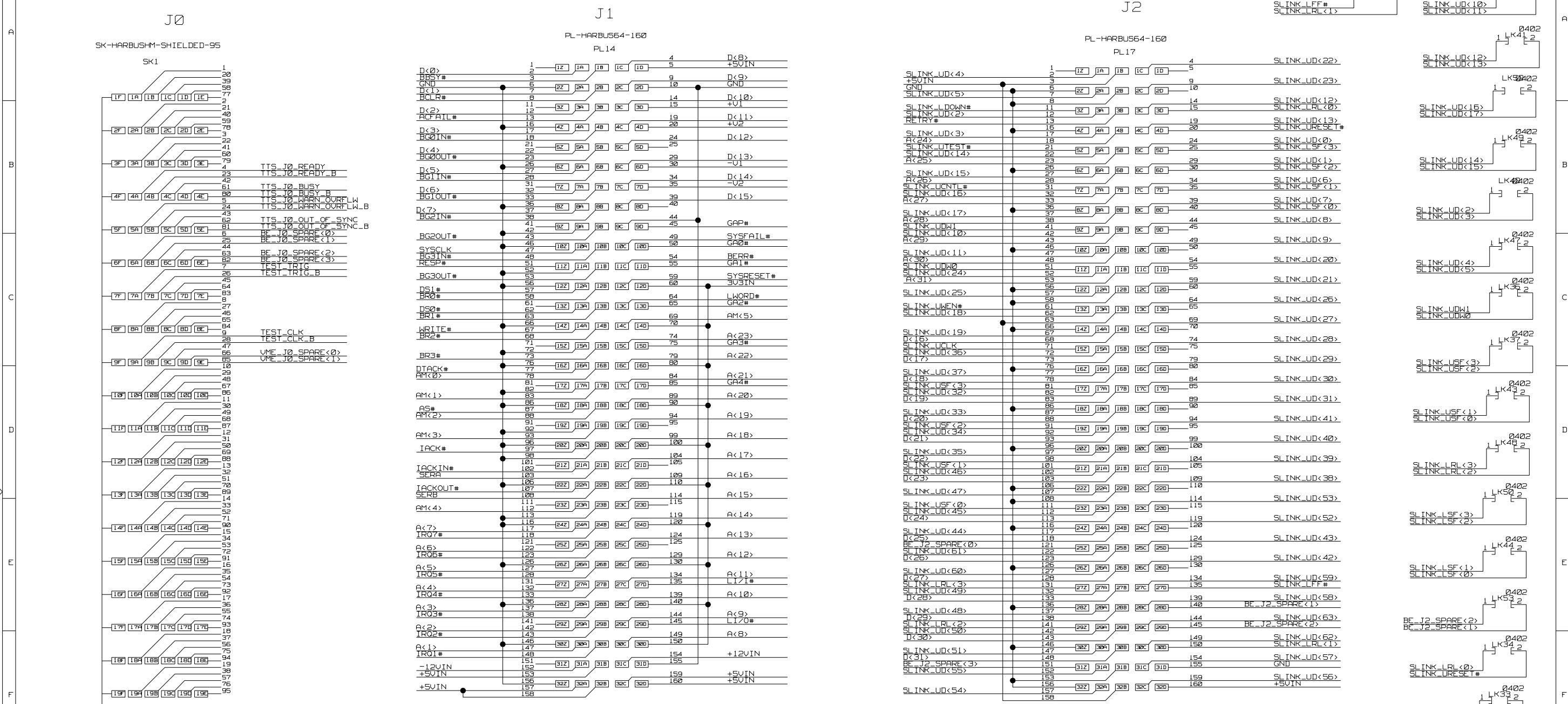


A	28-05-03	----	S. A. BAIRD	S. A. BAIRD	S. A. BAIRD	
ISSUE	DATE	MOD NO.	DRN BY.	CHKD.	APPD.	STATUS

USED ON © CCLRC 2003

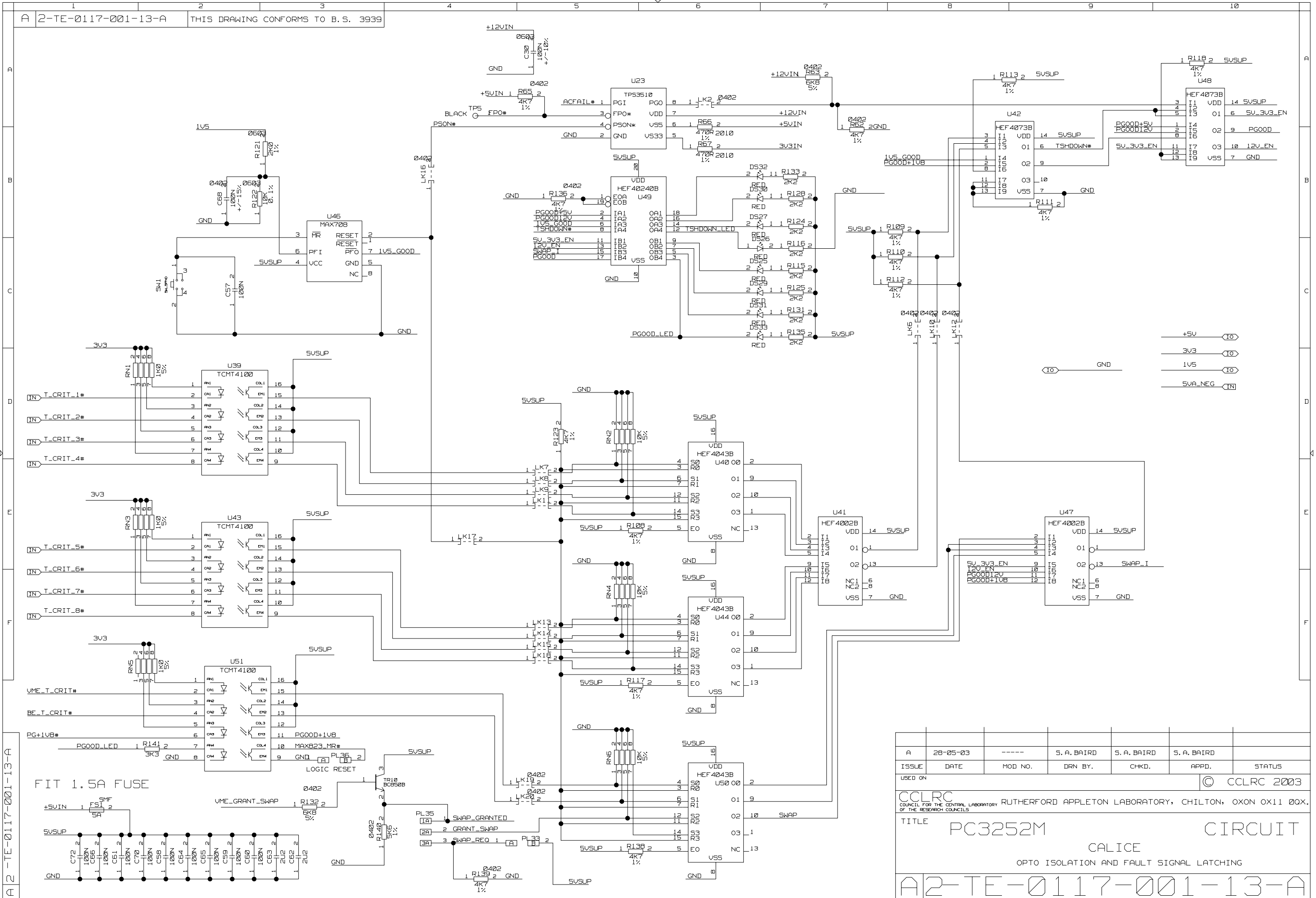
CCLRC COUNCIL FOR THE CENTRAL LABORATORY OF THE RESEARCH COUNCILS RUTHERFORD APPLETON LABORATORY, CHILTON, OXON OX11 0QX.

TITLE PC3252M CALICE J1 UME INTERFACE CIRCUIT

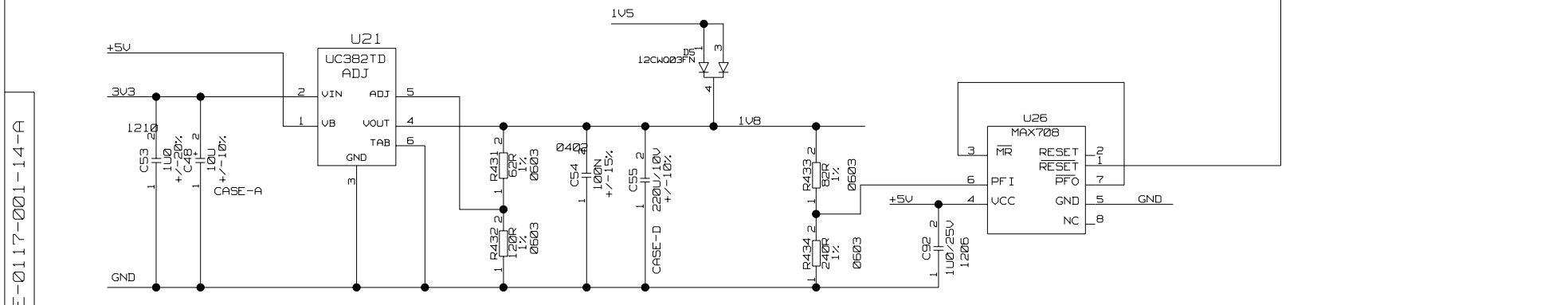
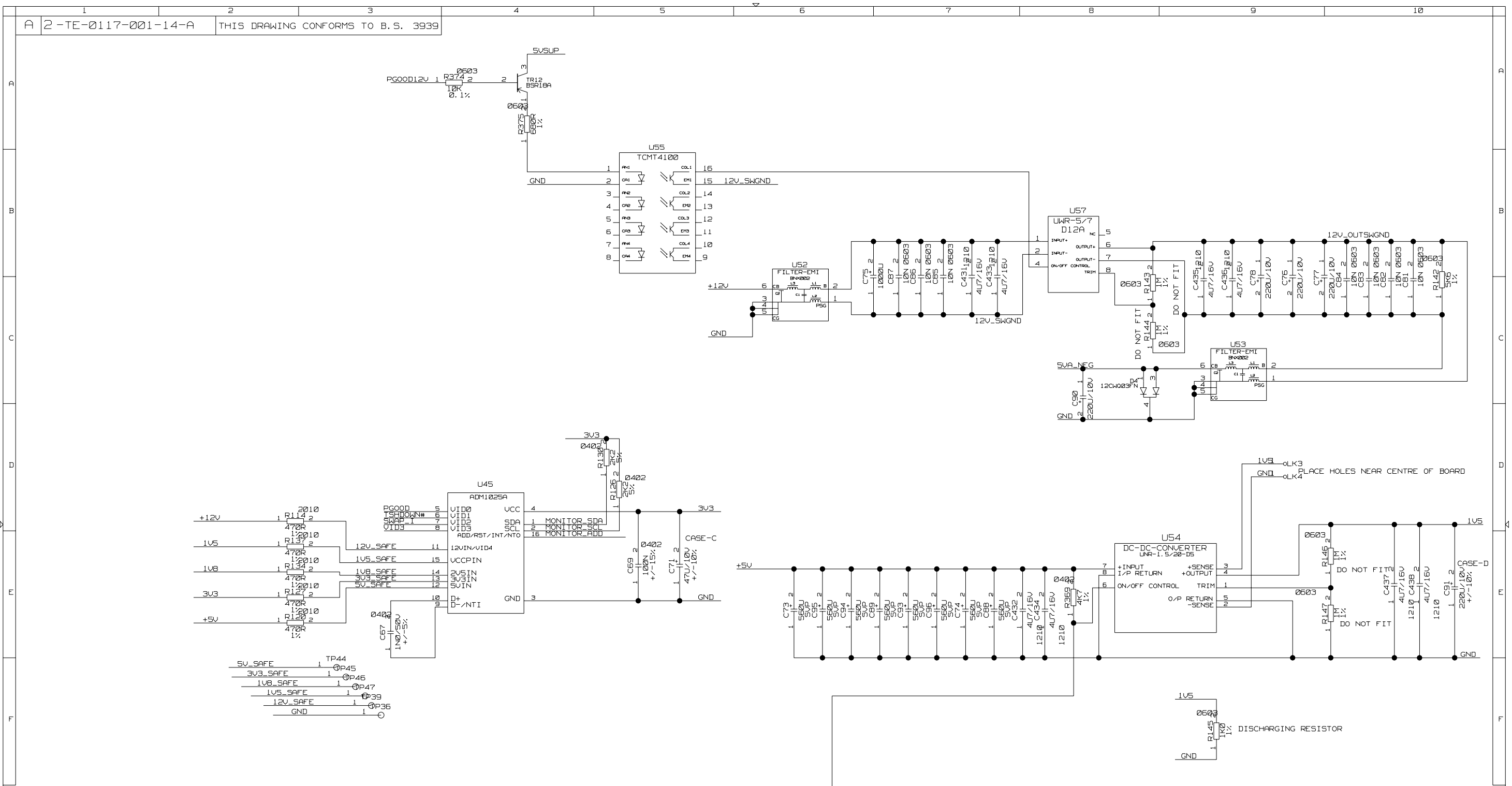


A	28-05-03	----	S. A. BAIRD	S. A. BAIRD	S. A. BAIRD	
ISSUE	DATE	MOD NO.	DRN BY.	CHKD.	APPD.	STATUS
USED ON						© CCLRC 20 03
CCLRC COUNCIL FOR THE CENTRAL LABORATORY RUTHERFORD APPLETON LABORATORY, CHILTON, OXON OX11 0QX. OF THE RESEARCH COUNCILS						
TITLE			PC3252M		CIRCUIT	
			CALICE		CONNECTORS	
A2-TE-0117-001-12-A						
TOTAL NO. OF SHEETS 88 <25>						

PLACE RESISTORS AT DESTINATION

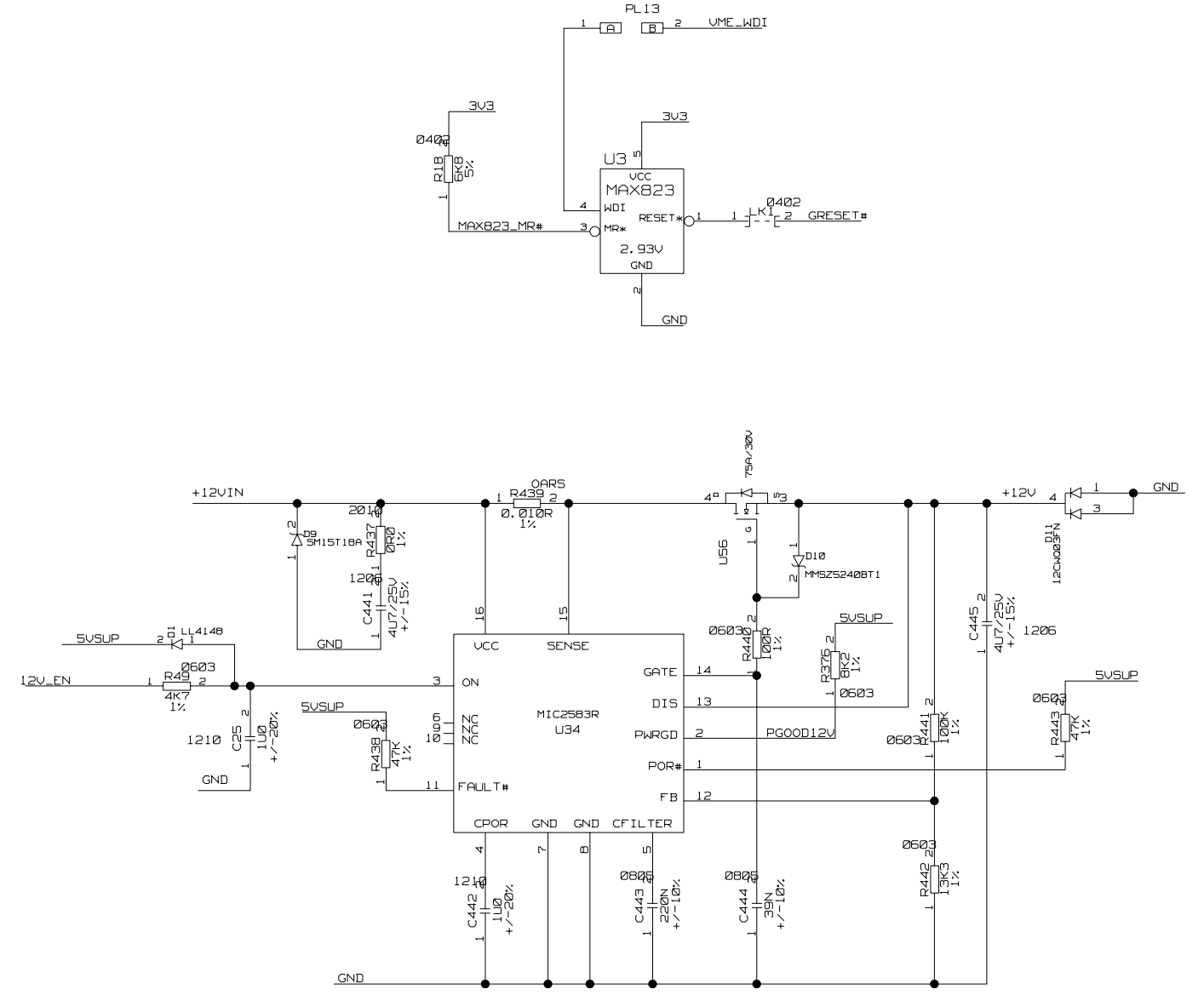
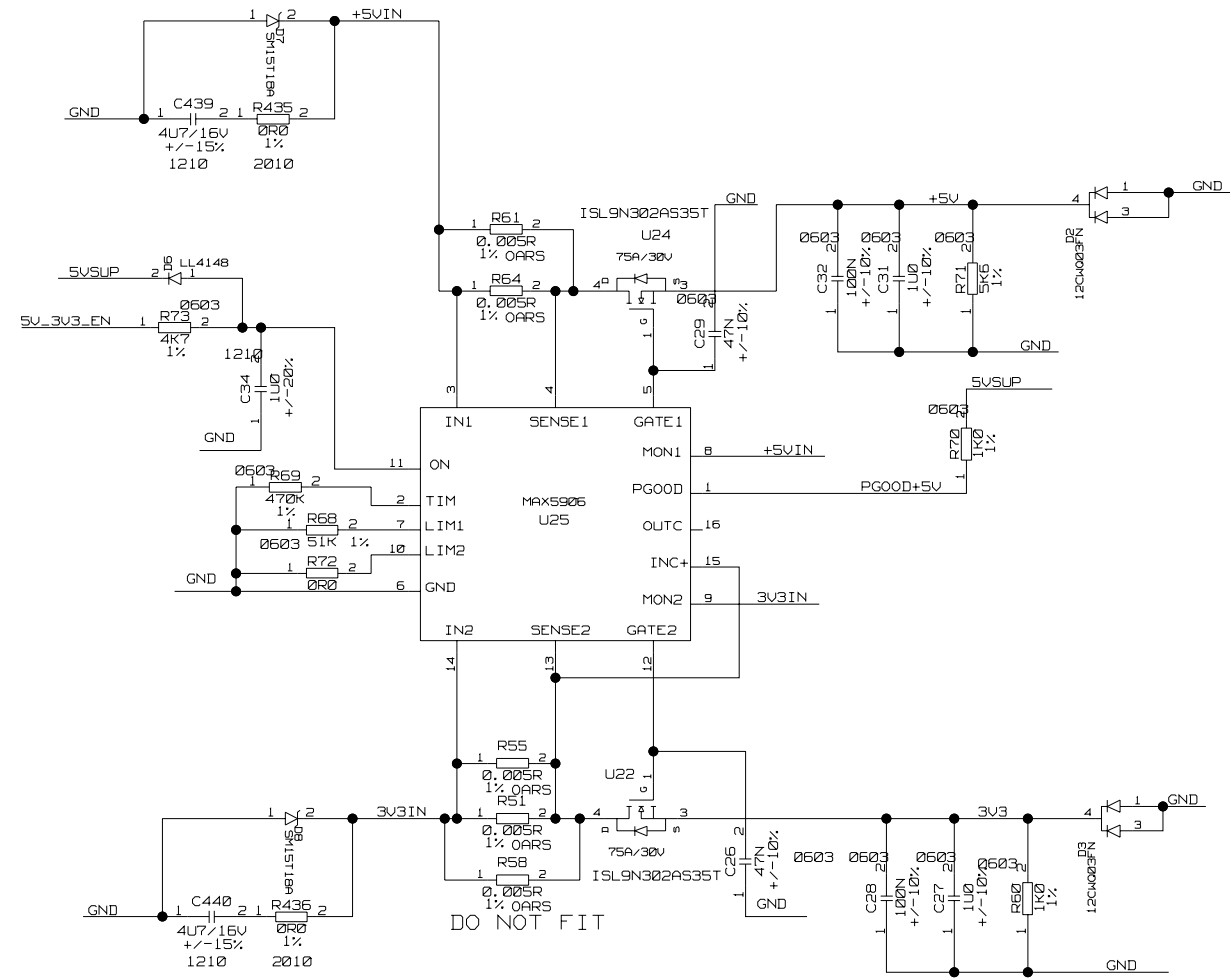


A	28-05-03	----	S. A. BAIRD	S. A. BAIRD	S. A. BAIRD	
ISSUE	DATE	MOD NO.	DRN BY.	CHKD.	APPD.	STATUS
USED ON						© CCLRC 2003
CCLRC COUNCIL FOR THE CENTRAL LABORATORY OF THE RESEARCH COUNCILS			RUTHERFORD APPLETON LABORATORY, CHILTON, OXON OX11 0QX.			
TITLE			PC3252M		CIRCUIT	
			CALICE		OPTO ISOLATION AND FAULT SIGNAL LATCHING	
A2-TE-0117-001-13-A						
						TOTAL NO. OF SHEETS 88 (25)



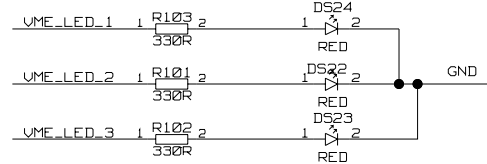
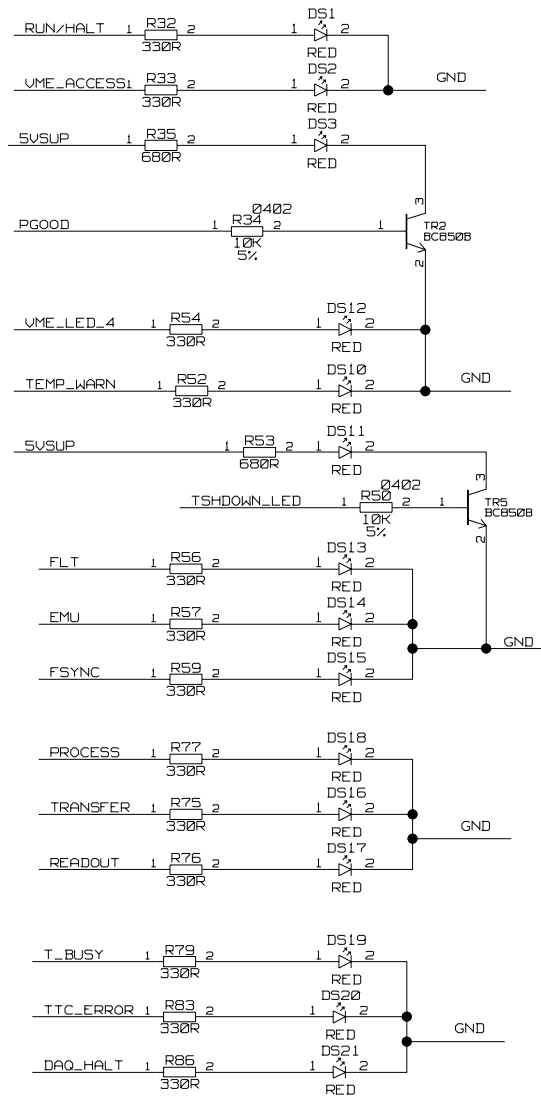
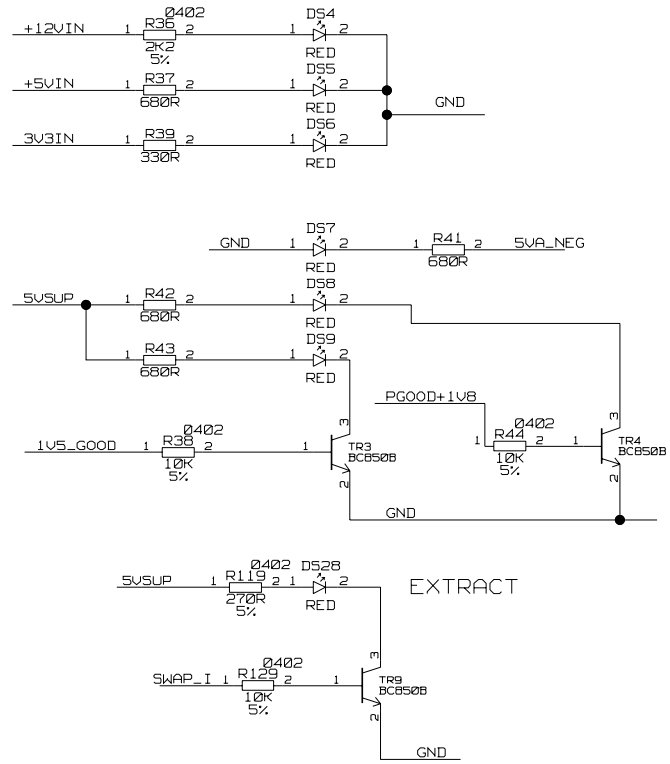
A	28-05-03	----	S. A. BAIRD	S. A. BAIRD	S. A. BAIRD	
ISSUE	DATE	MOD NO.	DRN BY.	CHKD.	APPD.	STATUS
USED ON					© CCLRC 20 03	
CCLRC COUNCIL FOR THE CENTRAL LABORATORY OF THE RESEARCH COUNCILS						
RUTHERFORD APPLETON LABORATORY, CHILTON, OXON OX11 0QX.						
TITLE			PC3252M CALICE CIRCUIT			
DC-DC CONVERTERS AND MONITORING						
A2-TE-0117-001-14-A						
TOTAL NO. OF SHEETS 88 (25)						

CONSULT DATA SHEET BEFORE CHANGING CAPACITORS



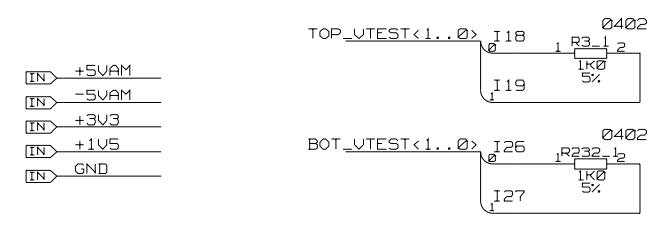
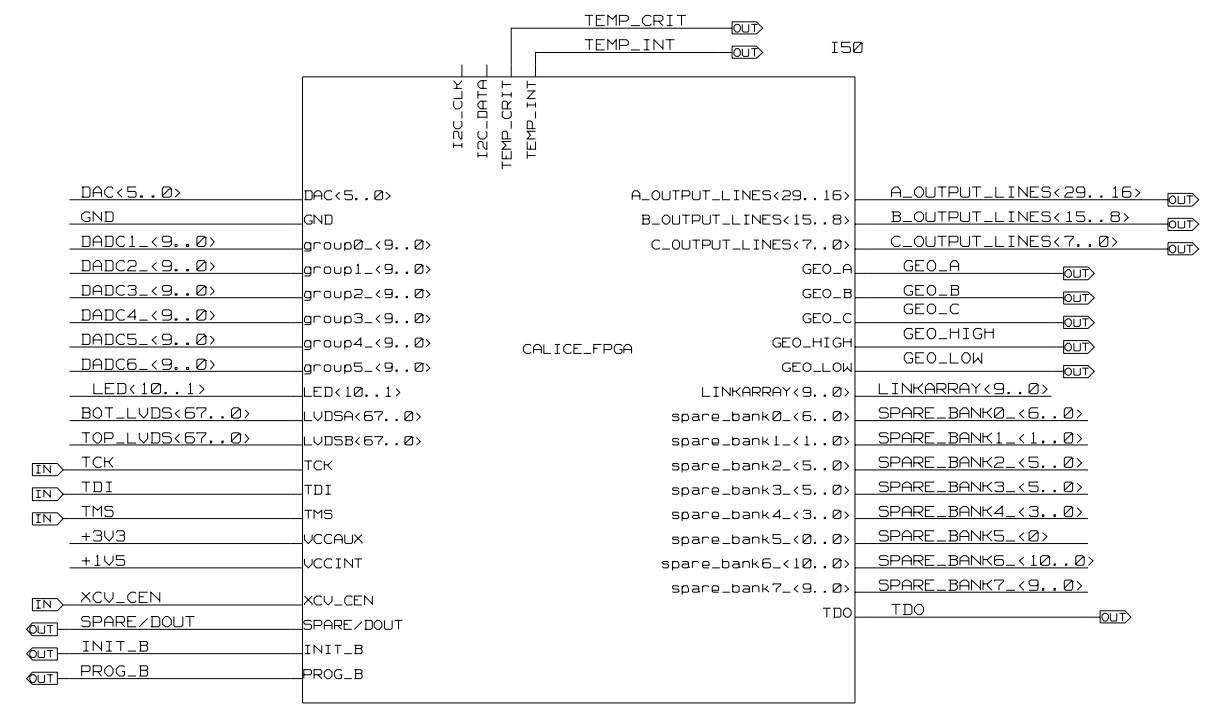
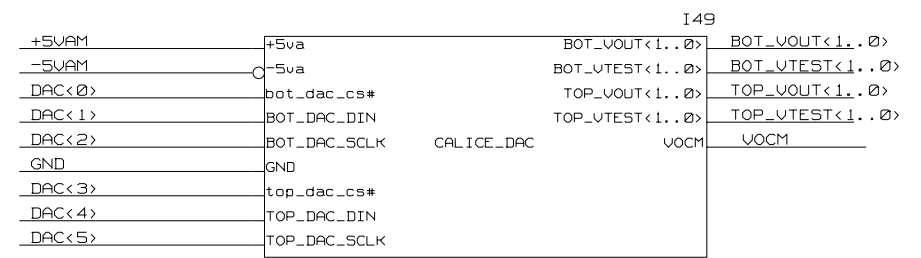
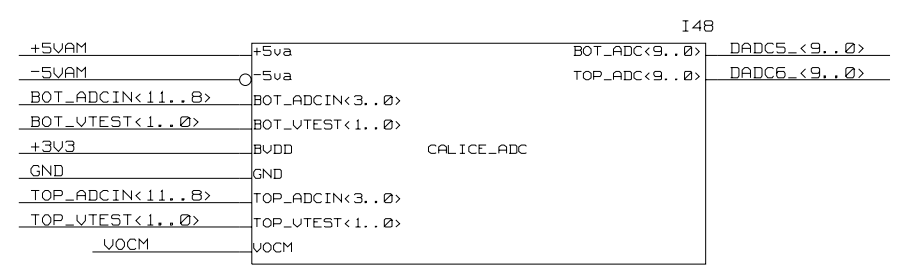
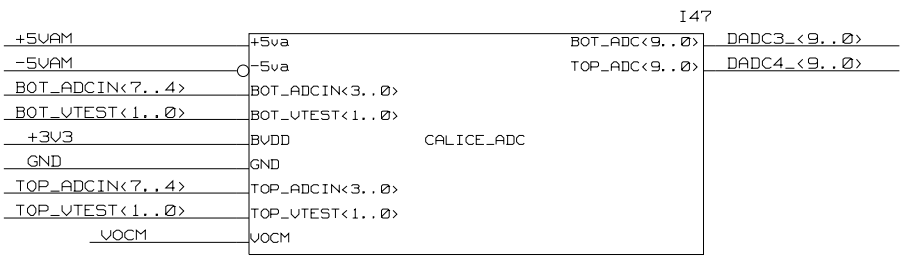
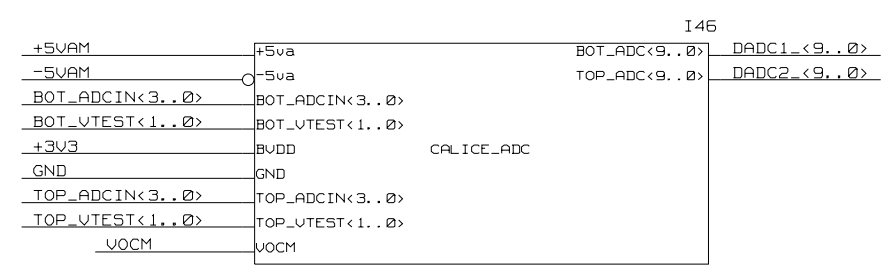
A 2-TE-0117-001-15-A

A	28-05-03	----	S. A. BAIRD	S. A. BAIRD	S. A. BAIRD	
ISSUE	DATE	MOD NO.	DRN BY.	CHKD.	APPD.	STATUS
USED ON					© CCLRC 20 03	
CCLRC COUNCIL FOR THE CENTRAL LABORATORY OF THE RESEARCH COUNCILS						
RUTHERFORD APPLETON LABORATORY, CHILTON, OXON OX11 0QX.						
TITLE			PC3252M		CIRCUIT	
CALICE						
ELECTRONIC POWER SUPPLY PROTECTION						
A2-TE-0117-001-15-A						
TOTAL NO. OF SHEETS 88 (25)						



A	28-05-03	----	S. A. BAIRD	S. A. BAIRD	S. A. BAIRD	
ISSUE	DATE	MOD NO.	DRN BY.	CHKD.	APPD.	STATUS
USED ON					© CCLRC 2003	
CCLRC COUNCIL FOR THE CENTRAL LABORATORY OF THE RESEARCH COUNCILS						
RUTHERFORD APPLETON LABORATORY, CHILTON, OXON OX11 0QX.						
TITLE			PC3252M		CIRCUIT	
CALICE						
FRONT PANEL DISPLAY						
A2-TE-0117-001-16-A						
TOTAL NO. OF SHEETS 88 (25)						



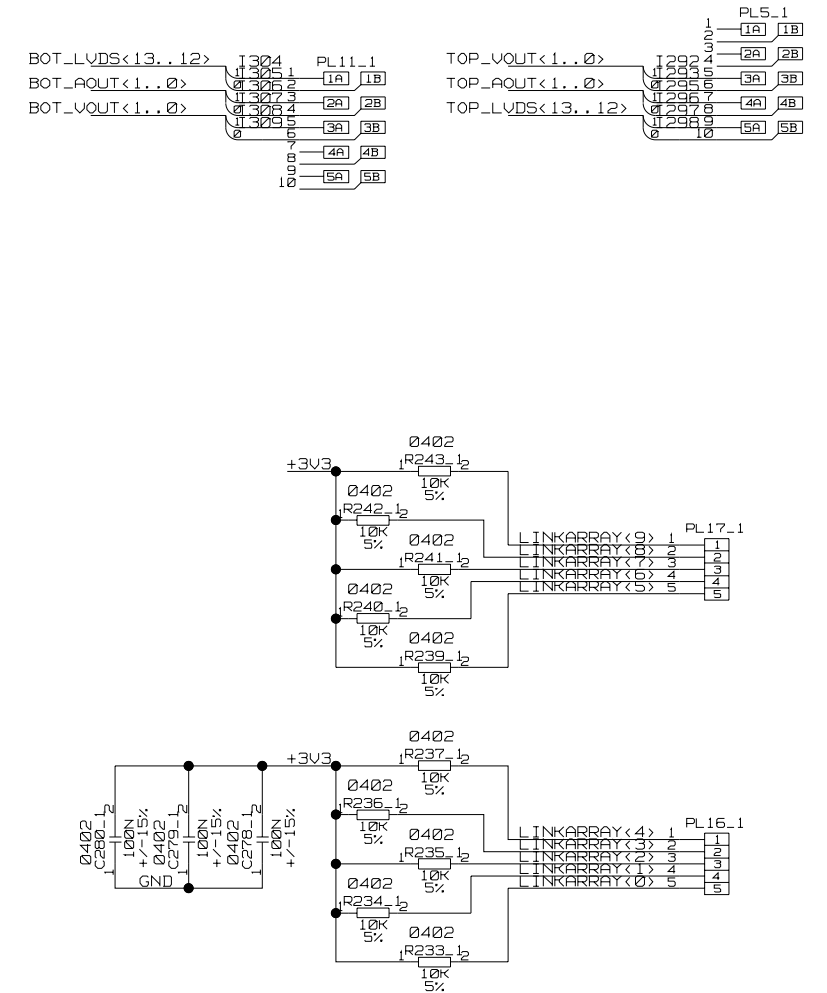
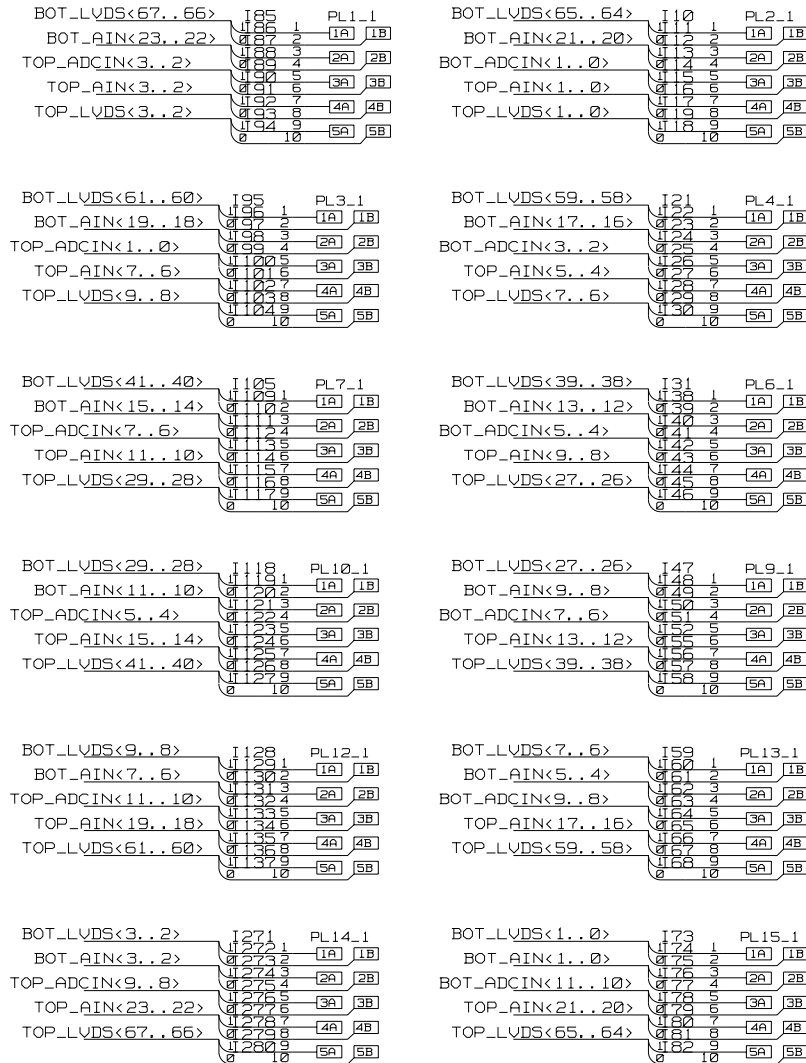
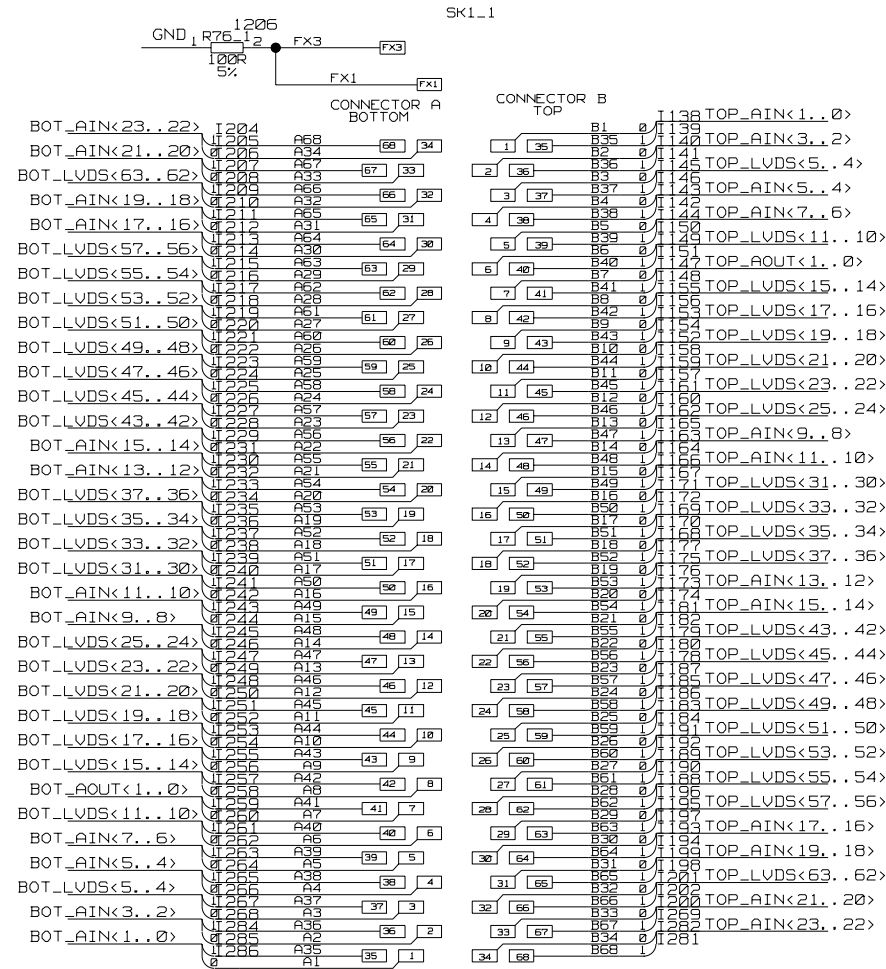


A	26-08-03	-----	S. A. BAIRD	S. A. BAIRD	S. A. BAIRD	
ISSUE	DATE	MOD NO.	DRN BY.	CHKD.	APPD.	STATUS
USED ON						© CCLRC 2003
CCLRC COUNCIL FOR THE CENTRAL LABORATORY OF THE RESEARCH COUNCILS						
RUTHERFORD APPLETON LABORATORY, CHILTON, OXON OX11 0QX.						
TITLE PC3252M CALICE FRONT END CHANNEL - TOP LEVEL CIRCUIT						
A2-TE-0117-001<17>A						
TOTAL NO. OF SHEETS 88 <25>						

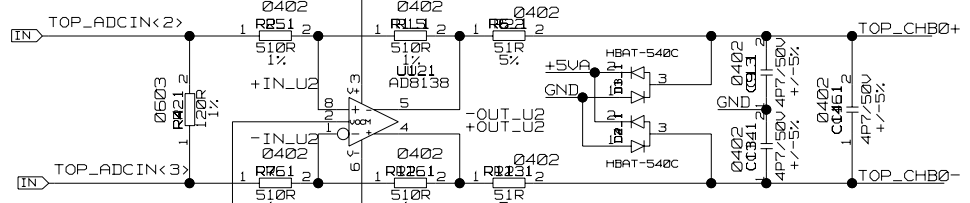
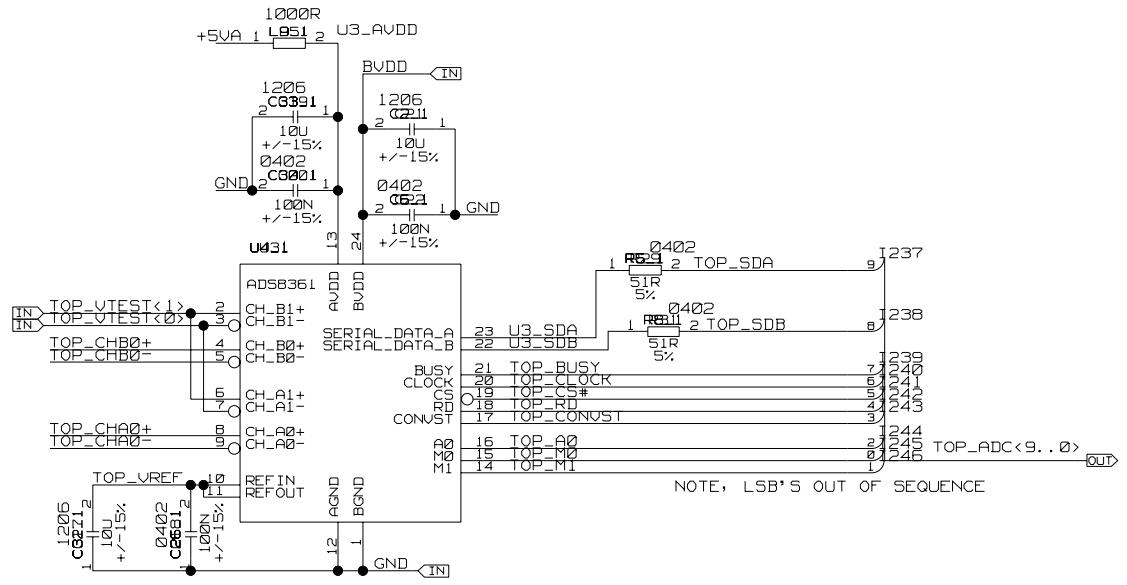
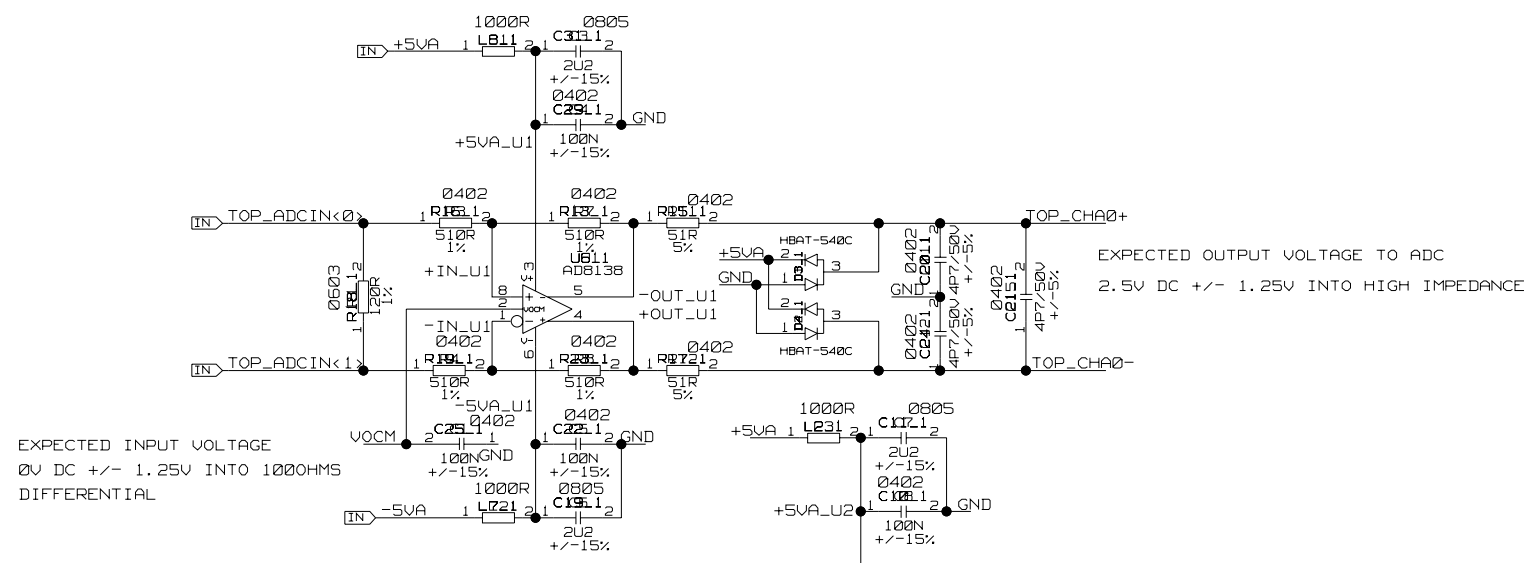
THIS PINOUT HOPEFULLY WILL NOT CHANGE

ANALOGUE INPUT SIGNALS

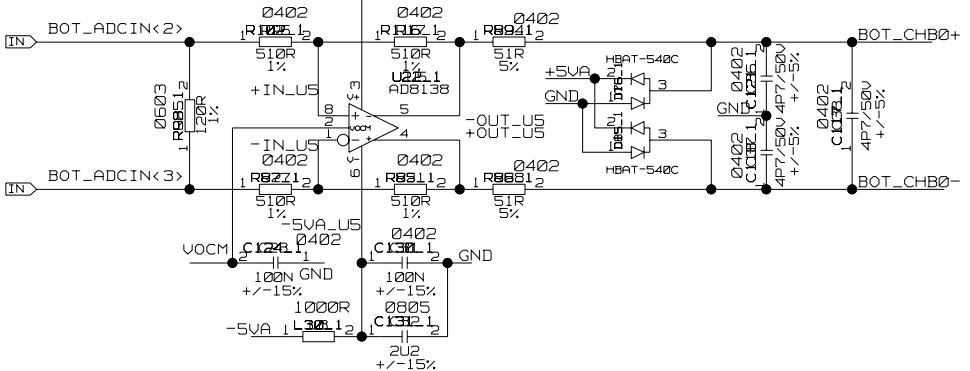
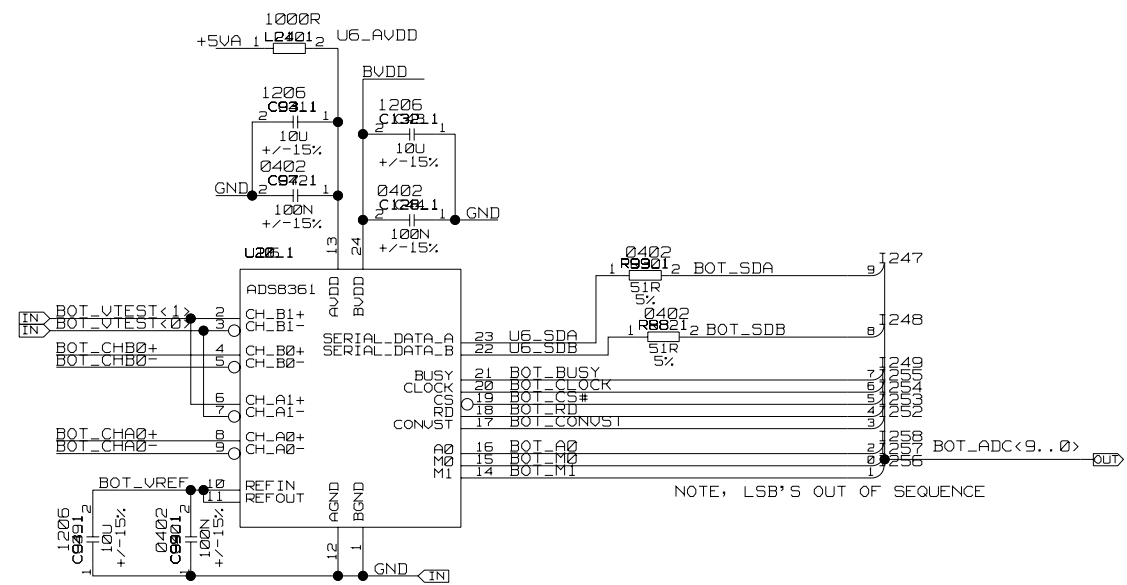
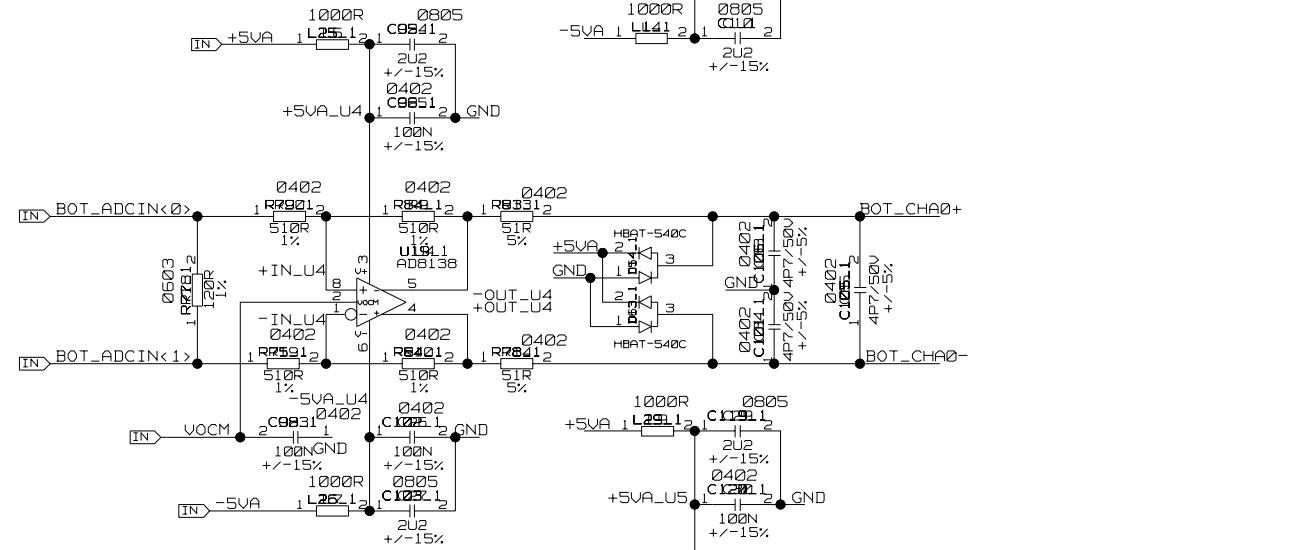
ANALOGUE OUTPUT SIGNALS



A	26-08-03	-----	S. A. BAIRD	S. A. BAIRD	S. A. BAIRD	
ISSUE	DATE	MOD NO.	DRN BY.	CHKD.	APPD.	STATUS
USED ON						© CCLRC 2003
CCLRC COUNCIL FOR THE CENTRAL LABORATORY OF THE RESEARCH COUNCILS						
RUTHERFORD APPLETON LABORATORY, CHILTON, OXON OX11 0QX.						
TITLE PC3252M CALICE SCSI CONNECTOR AND SELECTION JUMPERS CIRCUIT						
A2-TE-0117-001<18>A						
						TOTAL NO. OF SHEETS 88<25>



ALL RESISTORS MUST BE CHANGED TO 1% TOLERANCE

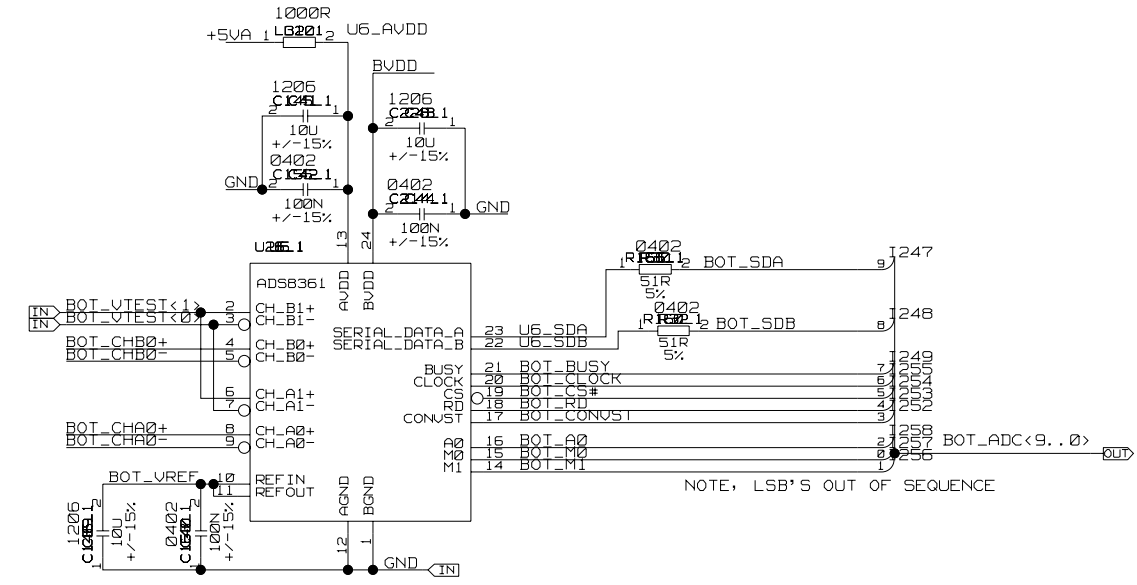
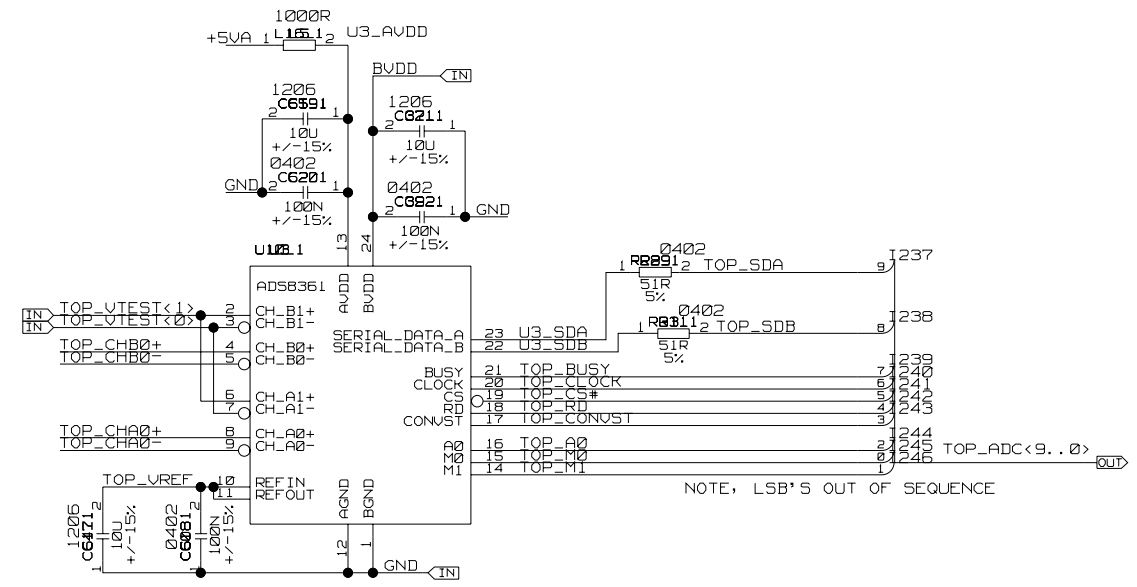
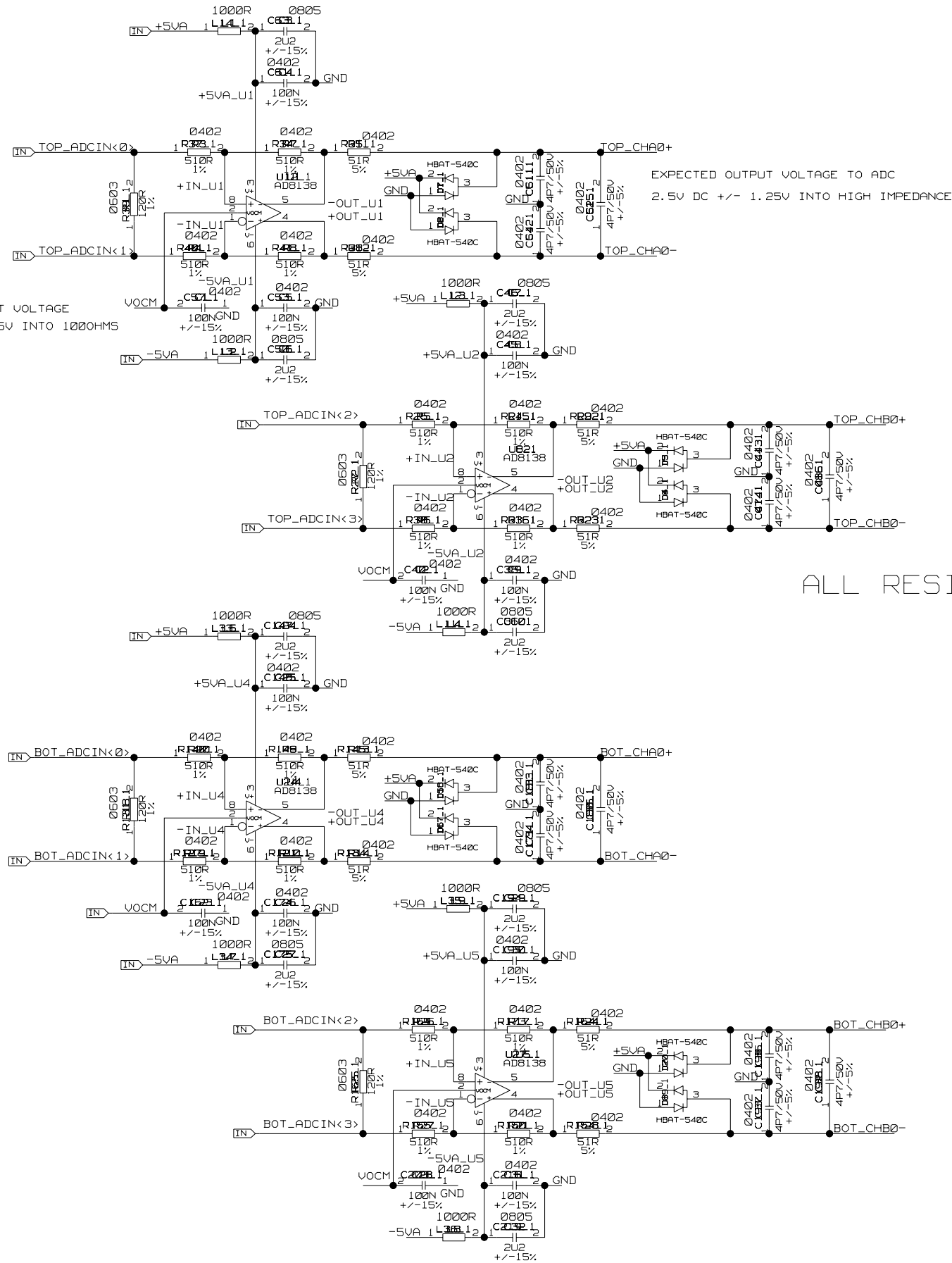


A	26-08-03	-----	S. A. BAIRD	S. A. BAIRD	S. A. BAIRD	
ISSUE	DATE	MOD NO.	DRN BY.	CHKD.	APPD.	STATUS
USED ON						© CCLRC 2003
CCLRC COUNCIL FOR THE CENTRAL LABORATORY RUTHERFORD APPLETON LABORATORY, CHILTON, OXON OX11 0QX.						
TITLE PC3252M CALICE CALICE ADC DESIGN CIRCUIT						
A2-TE-0117-001<19>A						

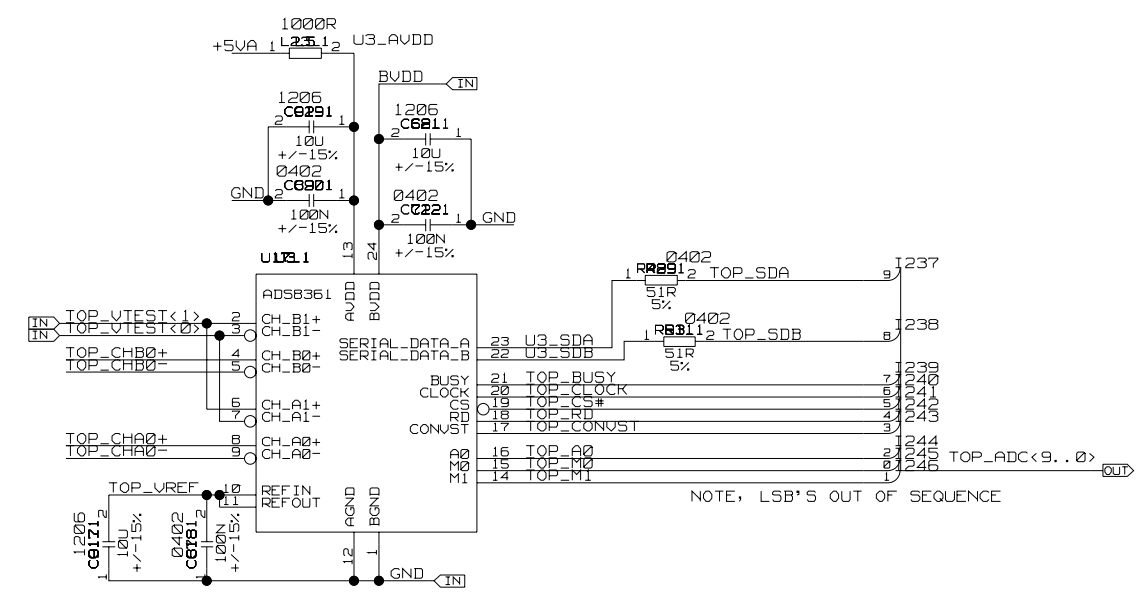
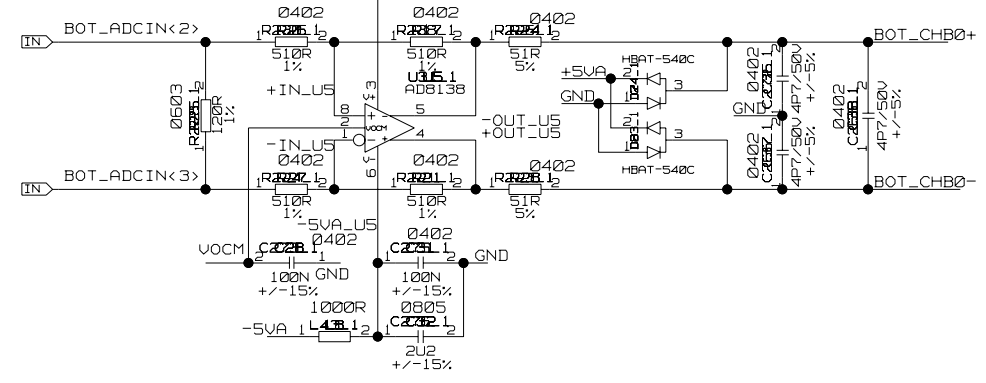
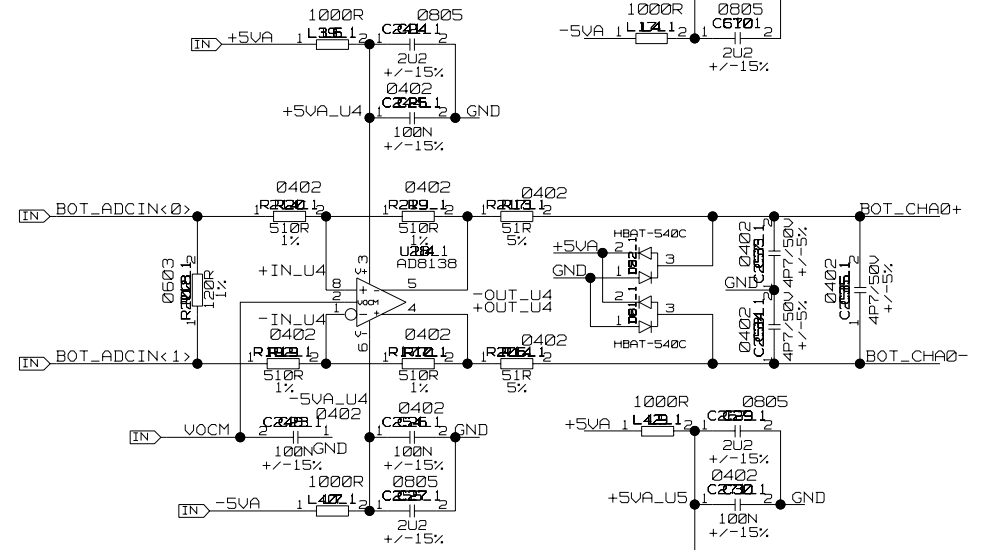
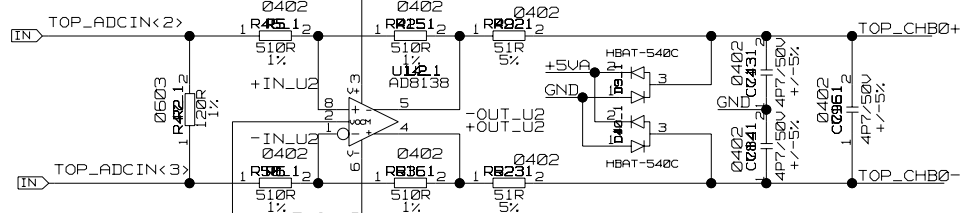
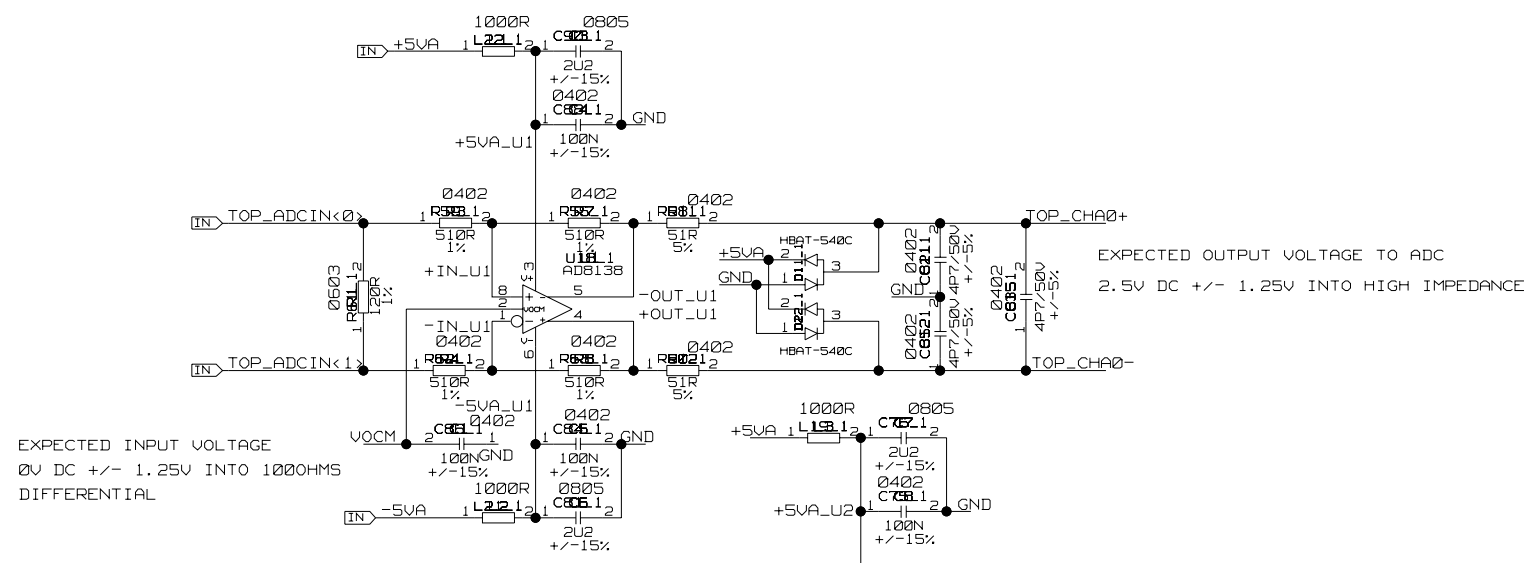
EXPECTED INPUT VOLTAGE  
0V DC +/- 1.25V INTO 100OHMS  
DIFFERENTIAL

EXPECTED OUTPUT VOLTAGE TO ADC  
2.5V DC +/- 1.25V INTO HIGH IMPEDANCE

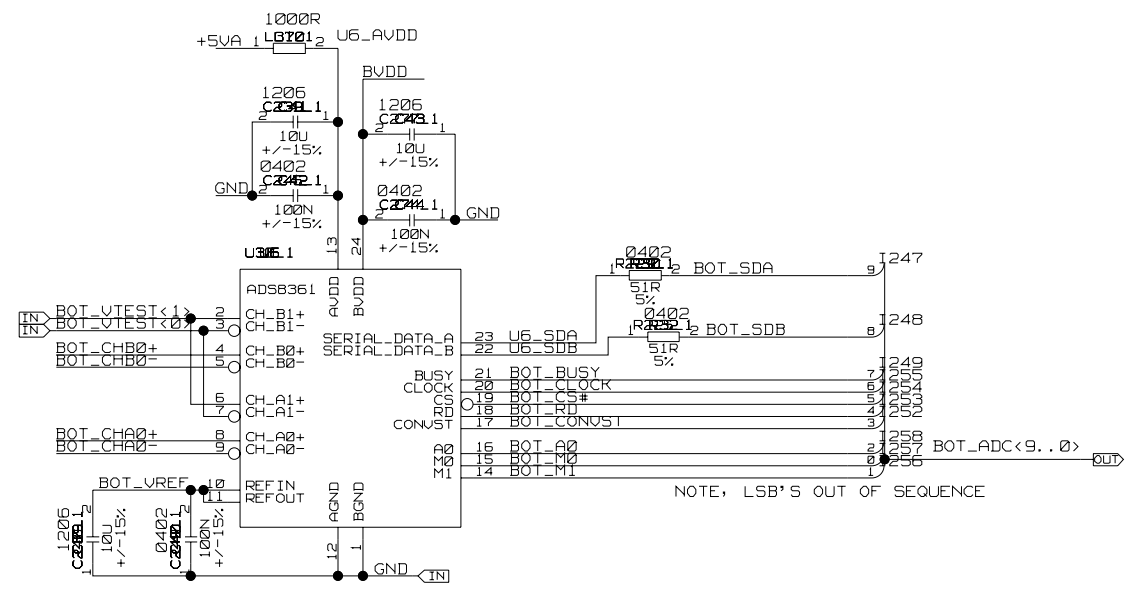
ALL RESISTORS MUST BE CHANGED TO 1% TOLERANCE



A	26-08-03	-----	S. A. BAIRD	S. A. BAIRD	S. A. BAIRD	
ISSUE	DATE	MOD NO.	DRN BY.	CHKD.	APPD.	STATUS
USED ON						© CCLRC 2003
CCLRC COUNCIL FOR THE CENTRAL LABORATORY OF THE RESEARCH COUNCILS						
RUTHERFORD APPLETON LABORATORY, CHILTON, OXON OX11 0QX.						
TITLE PC3252M CALICE CALICE ADC DESIGN CIRCUIT						
A2-TE-0117-001<19>A						

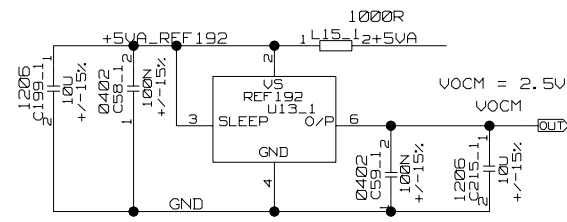


ALL RESISTORS MUST BE CHANGED TO 1% TOLERANCE

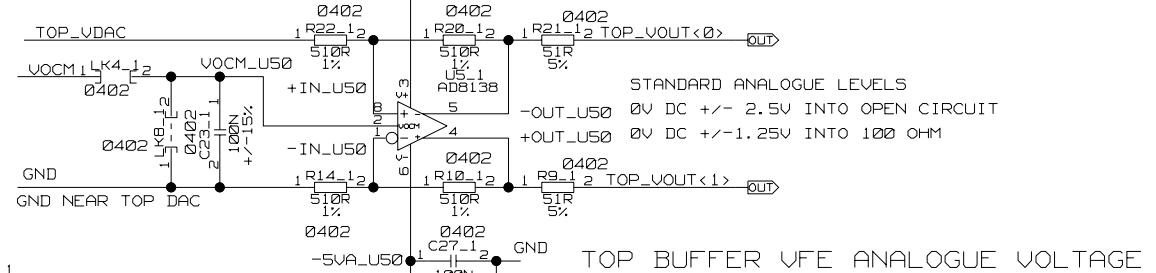
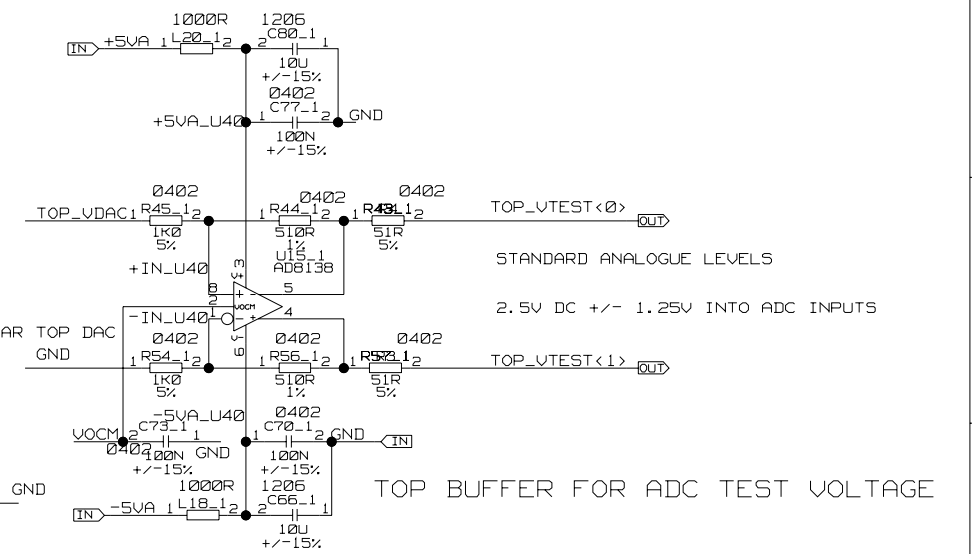
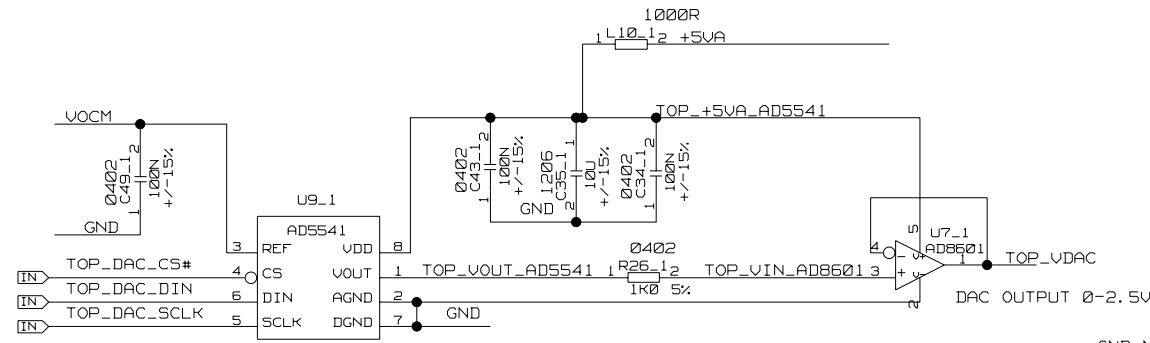


A	26-08-03	-----	S. A. BAIRD	S. A. BAIRD	S. A. BAIRD	
ISSUE	DATE	MOD NO.	DRN BY.	CHKD.	APPD.	STATUS
USED ON						© CCLRC 2003
CCLRC COUNCIL FOR THE CENTRAL LABORATORY OF THE RESEARCH COUNCILS						
RUTHERFORD APPLETON LABORATORY, CHILTON, OXON OX11 0QX.						
TITLE			PC3252M CALICE CALICE ADC DESIGN CIRCUIT			
A2-TE-0117-001<19>A						

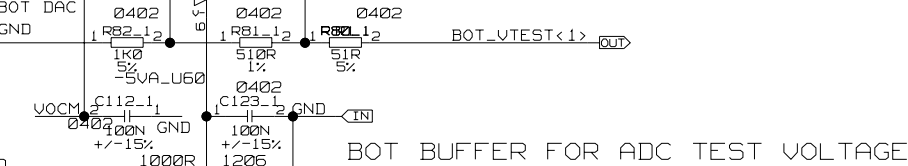
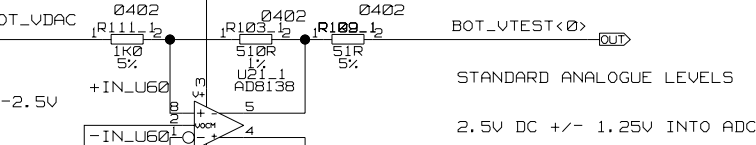
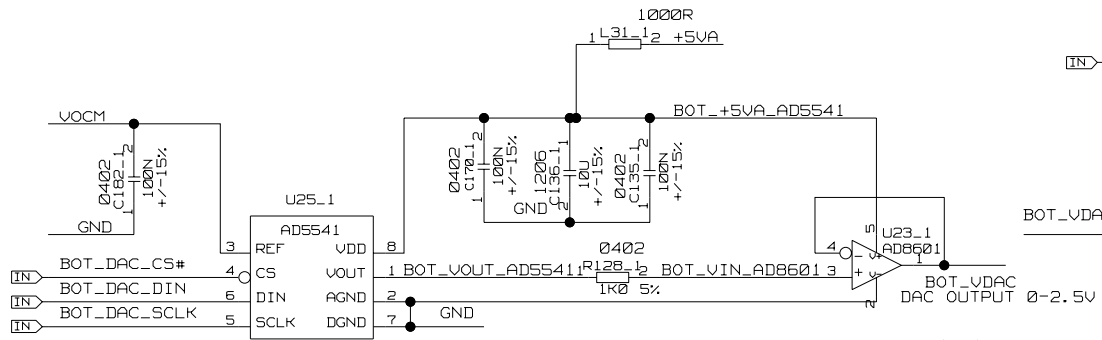
VOLTAGE REFERENCE



TOP DAC



BOT DAC

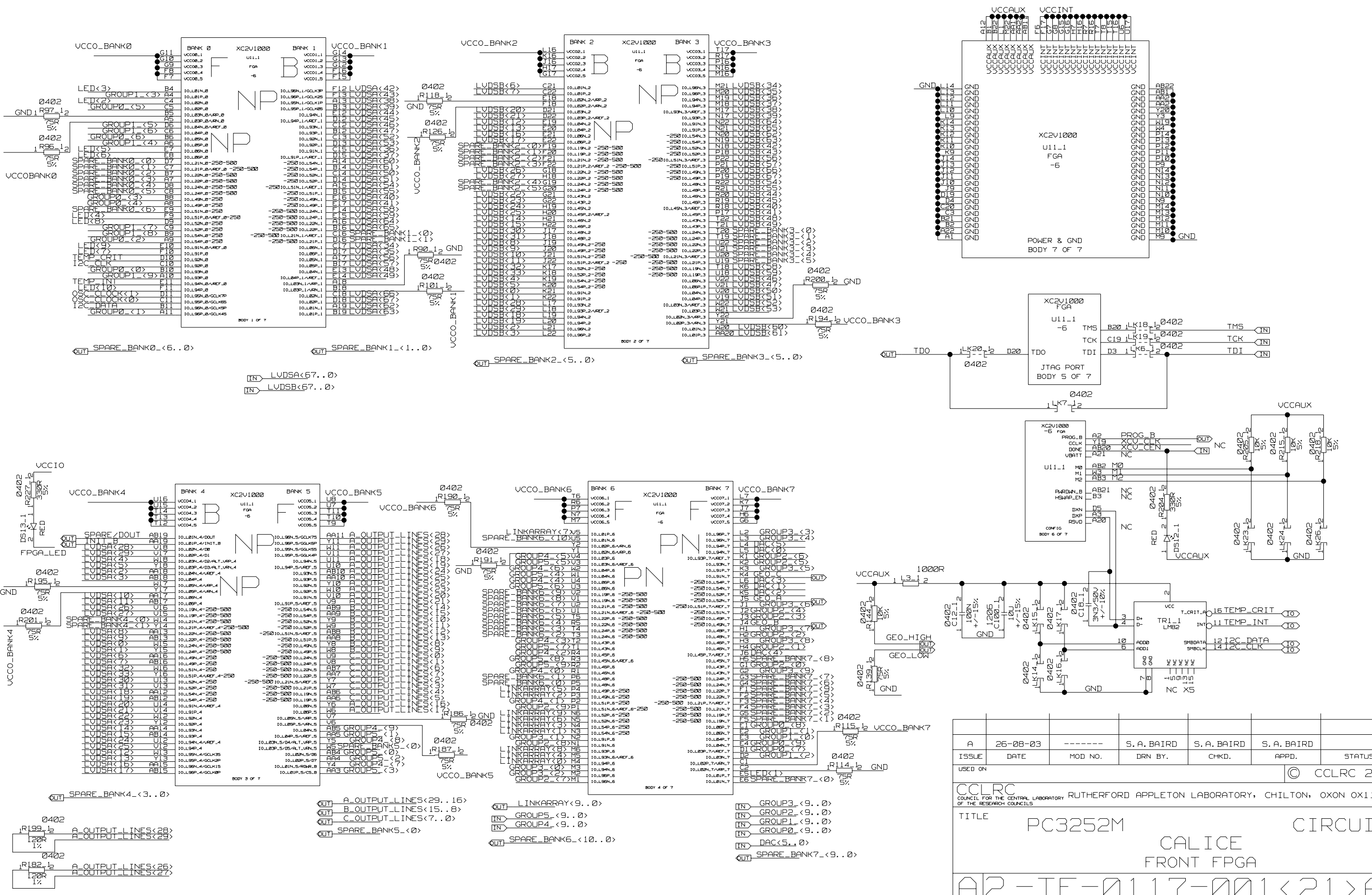


ALL RESISTORS SHOULD BE CHANGED TO 1% TOLERANCE

A	26-08-03	-----	S. A. BAIRD	S. A. BAIRD	S. A. BAIRD	
ISSUE	DATE	MOD NO.	DRN BY.	CHKD.	APPD.	STATUS
USED ON						© CCLRC 2003

CCLRC  
COUNCIL FOR THE CENTRAL LABORATORY RUTHERFORD APPLETON LABORATORY, CHILTON, OXON OX11 0QX.  
OF THE RESEARCH COUNCILS

TITLE PC3252M CALICE CIRCUIT  
CALICE DAC DESIGN

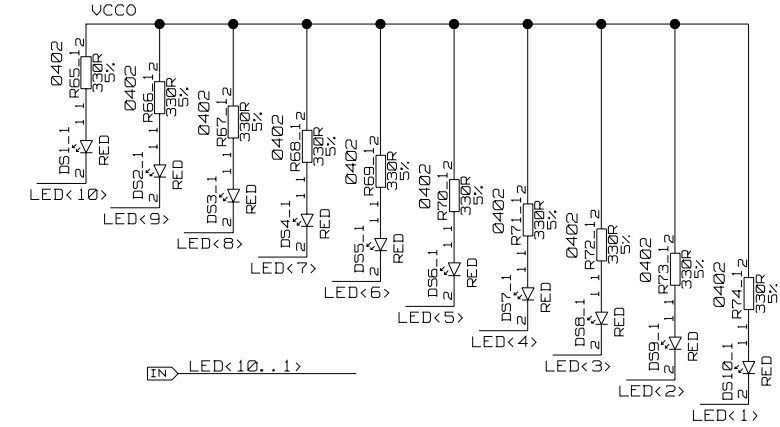
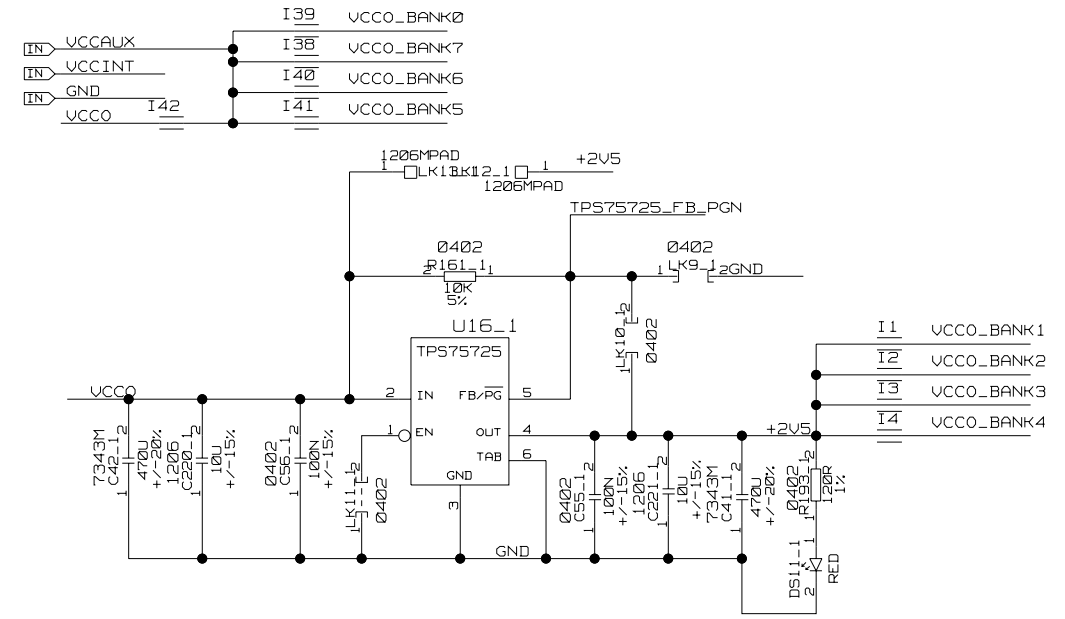
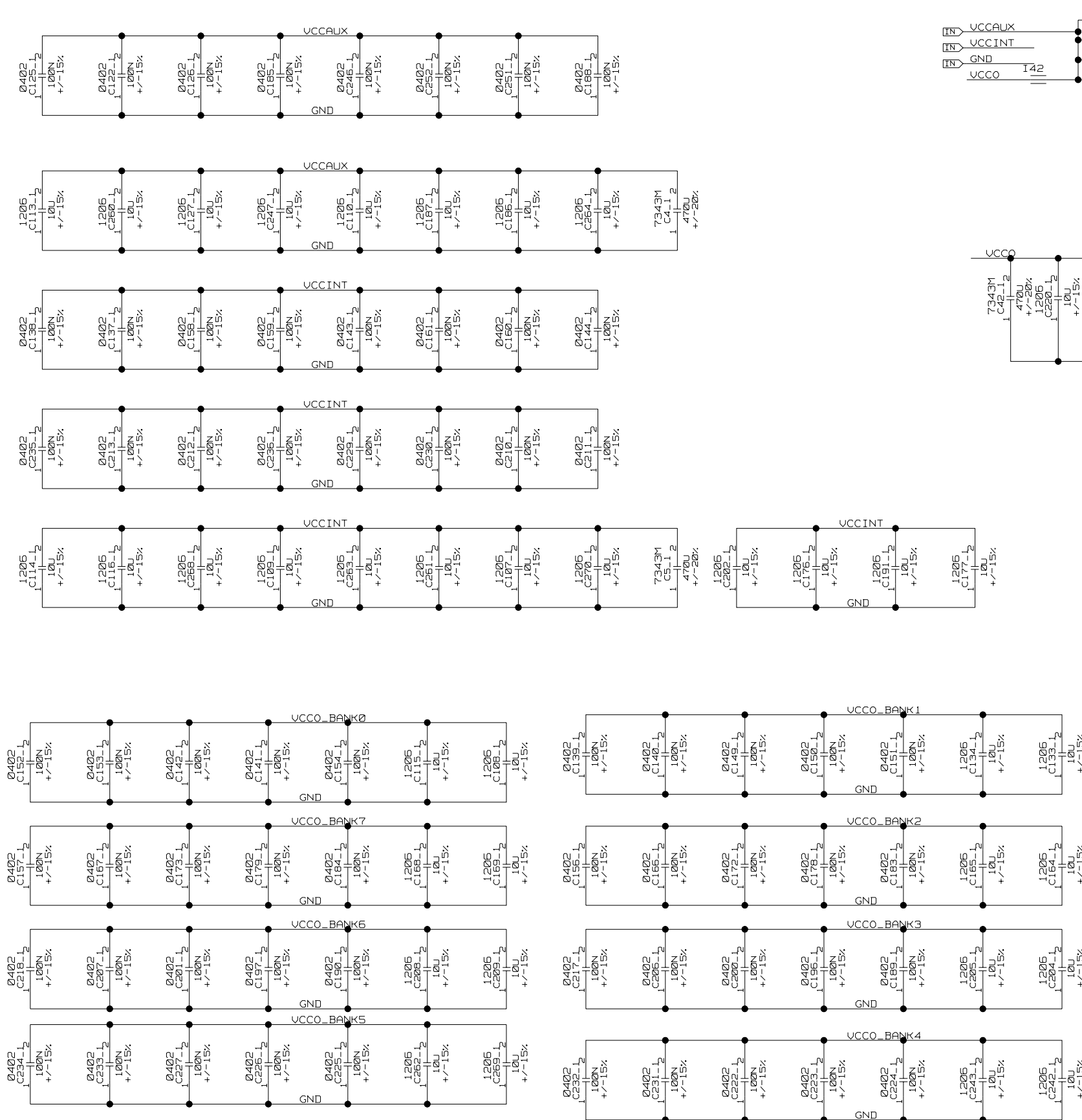


A	26-08-03	-----	S. A. BAIRD	S. A. BAIRD	S. A. BAIRD	
ISSUE	DATE	MOD NO.	DRN BY.	CHKD.	APPD.	STATUS

USED ON \_\_\_\_\_ © CCLRC 2003

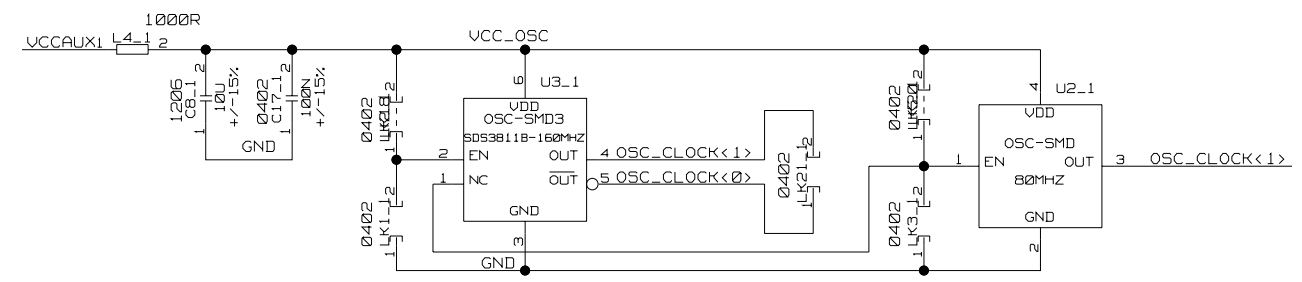
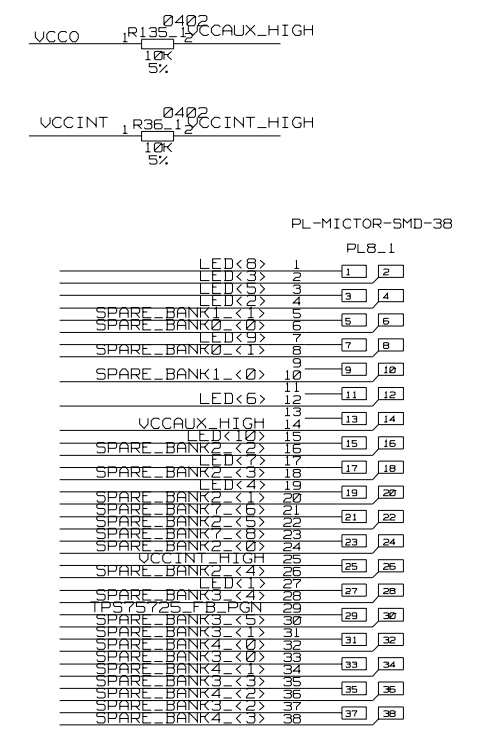
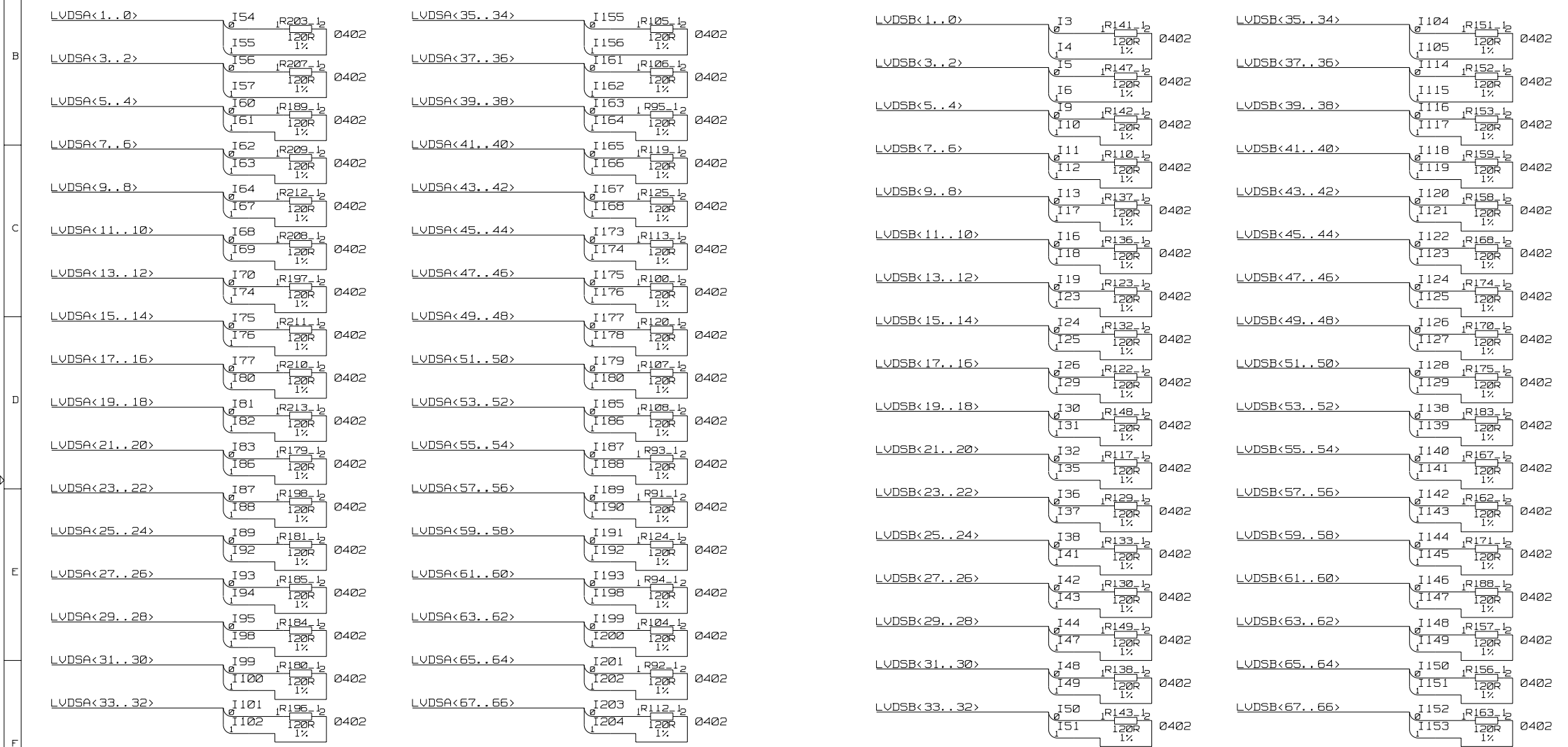
CCLRC COUNCIL FOR THE CENTRAL LABORATORY OF THE RESEARCH COUNCILS		RUTHERFORD APPLETON LABORATORY, CHILTON, OXON OX11 0QX.	
TITLE	PC3252M	CALICE	CIRCUIT
		FRONT FPGA	

A2-TE-0117-001<21>A



A	26-08-03	-----	S. A. BAIRD	S. A. BAIRD	S. A. BAIRD	
ISSUE	DATE	MOD NO.	DRN BY.	CHKD.	APPD.	STATUS
USED ON						© CCLRC 2003
CCLRC COUNCIL FOR THE CENTRAL LABORATORY RUTHERFORD APPLETON LABORATORY, CHILTON, OXON OX11 0QX. OF THE RESEARCH COUNCILS						
TITLE			PC3252M CALICE CIRCUIT			
FPGA DECOUPLING AND 2V5 LVDs VCCIO PSU						
A2-TE-0117-001<22>A						
TOTAL NO. OF SHEETS						88<25>





ISSUE	DATE	MOD NO.	DRN BY.	CHKD.	APPD.	STATUS
A	26-08-03	-----	S. A. BAIRD	S. A. BAIRD	S. A. BAIRD	
USED ON						© CCLRC 2003
CCLRC COUNCIL FOR THE CENTRAL LABORATORY RUTHERFORD APPLETON LABORATORY, CHILTON, OXON OX11 0QX. OF THE RESEARCH COUNCILS						
TITLE			PC3252M CALICE LVDS TERMINATIONS			
A2-TE-0117-001<23>A						
TOTAL NO. OF SHEETS 88 <25>						