

**JST**

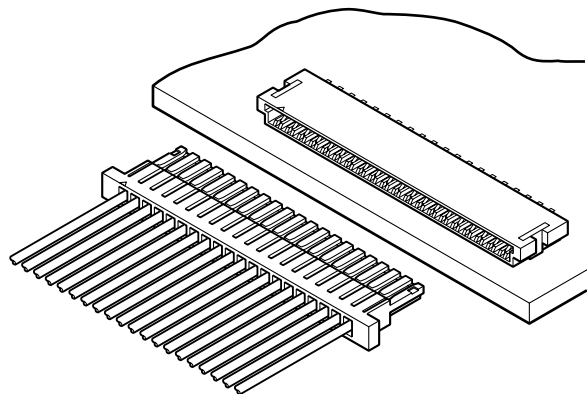
Crimp

**1.0mm**  
(.039") pitch

# SHL CONNECTOR

*Disconnectable Crimp style connectors*

Emboss Tape



## Features

### • **Thin design**

The height after mounting on the PC board is only 1.8mm (.071") for normal type, and 1.4mm (.055") for off-set type.

### • **Low insertion force**

The contact has a clear click feeling. Spring action and unique design of the contact makes contact insertion into housing easy, and contact pressure is retained after repeated mating/unmating.

### • **Deformation preventive design**

The contact has a deformation preventive configuration, which, in spite of the very thin design of the connector, is resistant to distortion.

## Specifications

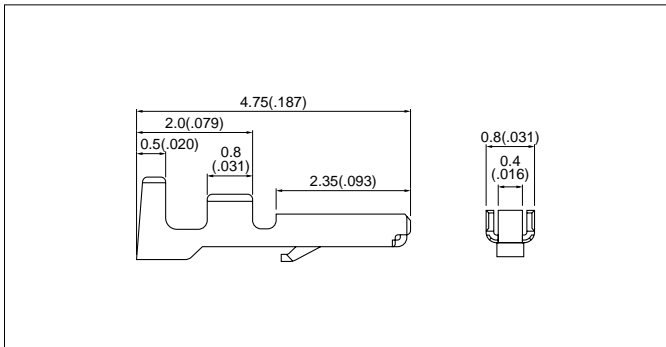
- Current rating: 1.0A AC, DC (AWG #28)
  - Voltage rating: 50V AC, DC
  - Temperature range: -25°C to +85°C  
(including temperature rise in applying electrical current)
  - Contact resistance: Initial value/20m  $\Omega$  max.  
After environmental testing/40m  $\Omega$  max.
  - Insulation resistance: 100M  $\Omega$  min.
  - Withstanding voltage: 500V AC/minute
  - Applicable wire: AWG #32 to #28
- \* Contact JST for details.

## Standards

○ Recognized E60389

1 Certified LR20812

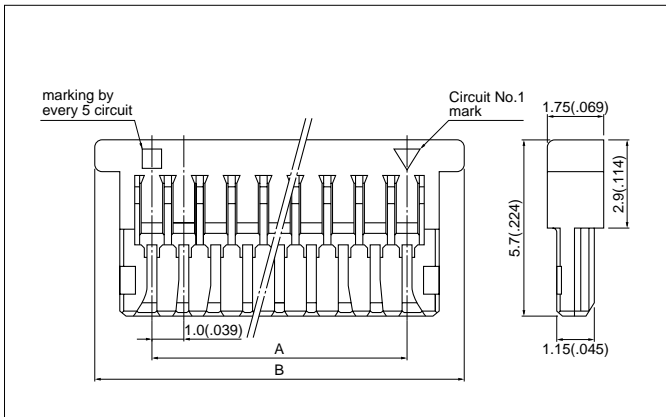
## Contact



Model No.	Applicable wire			Q'ty / reel
	mm <sup>2</sup>	AWG#	Insulation O.D. mm(in.)	
<b>SSHL-003T-P0.2</b>	0.032 to 0.08	32 to 28	0.4 to 0.8(.016 to .031)	30,000

Material and Finish	
Phosphor bronze, tin-plated	

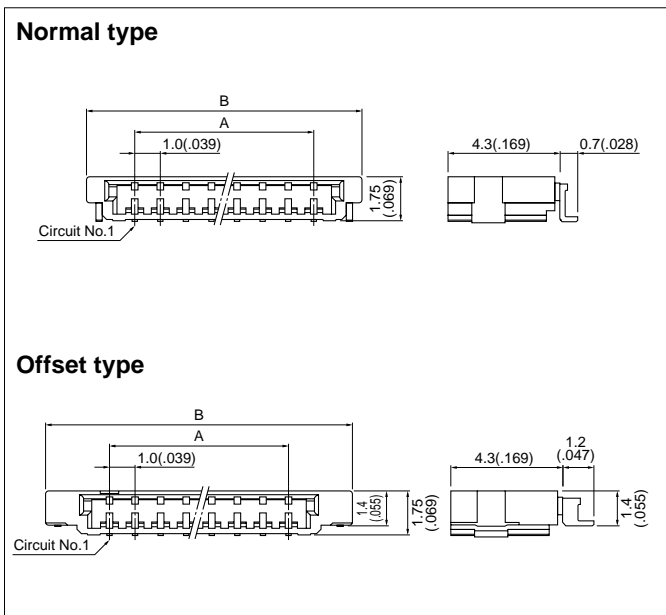
## Housing



Circuits	Model No.	Dimensions mm(in.)		Q'ty / box
		A	B	
14	<b>SHLP-14V-S-B</b>	13.0(.512)	16.6(.654)	1,000
16	<b>SHLP-16V-S-B</b>	15.0(.591)	18.6(.732)	1,000
20	<b>SHLP-20V-S-B</b>	19.0(.748)	22.6(.890)	1,000

Material	
PBT, UL94V-0, natural (white)	

## Shrouded header



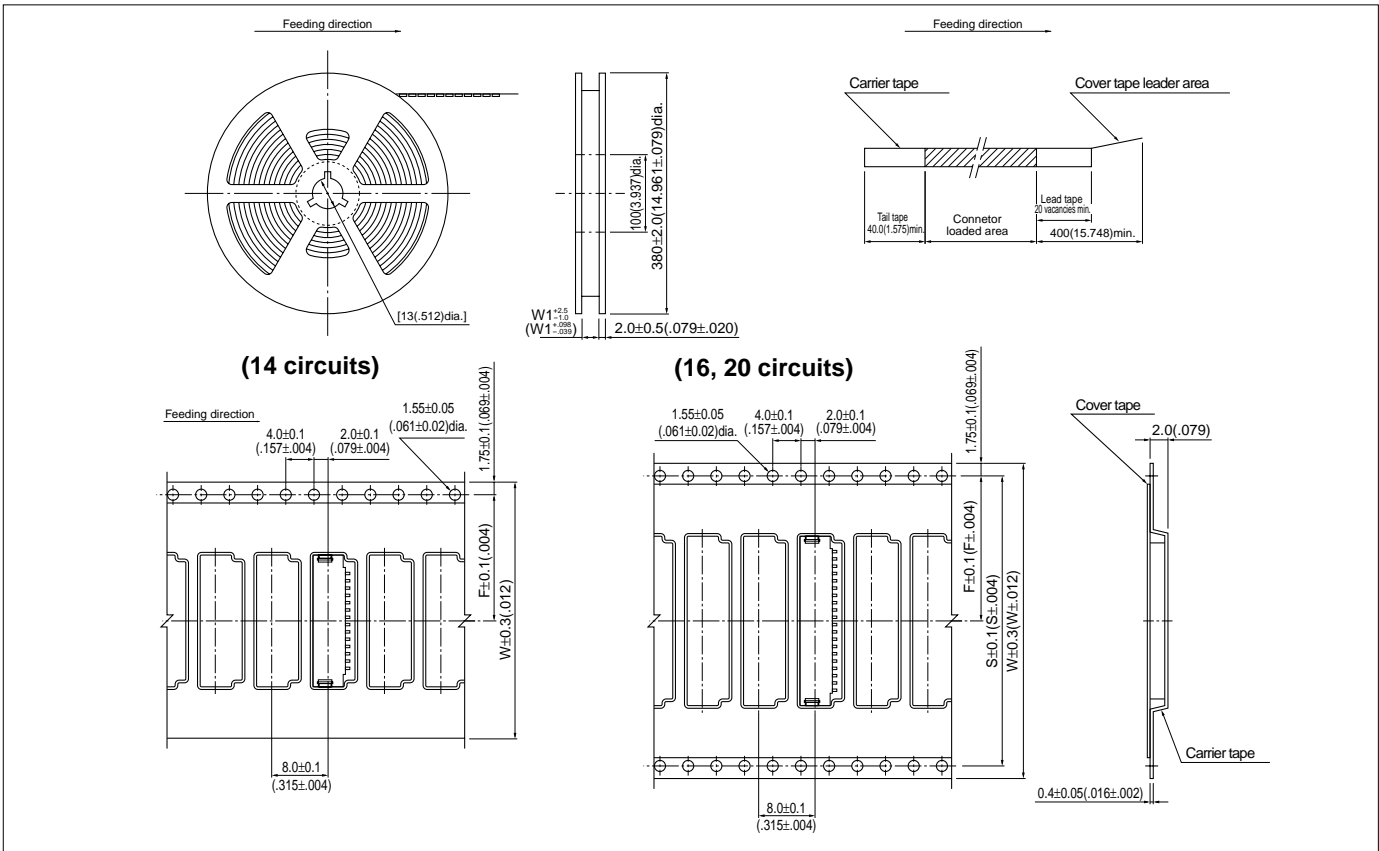
Circuits	Model No.		Insulation O.D. mm(in.)		Q'ty / reel
	Normal type	Offset type	A	B	
14	-	<b>SM14B-SHLS-1-TF</b>	13.0(.512)	18.0(.709)	4,500
16	<b>SM16B-SHLS-TF</b>	-	15.0(.591)	18.8(.740)	4,500
20	<b>SM20B-SHLS-TF</b>	-	19.0(.748)	22.8(.898)	4,500

Material and Finish	
Contact: Phosphor bronze, copper-undercoated, tin/lead-plated	
Housing: Modified 6Tpolyamide, UL94V-0, natural (ivory)	
Solder tab: Brass, copper-undercoated, tin/lead-plated	

Note: The products listed above are supplied on embossed tape.

# SHL CONNECTOR

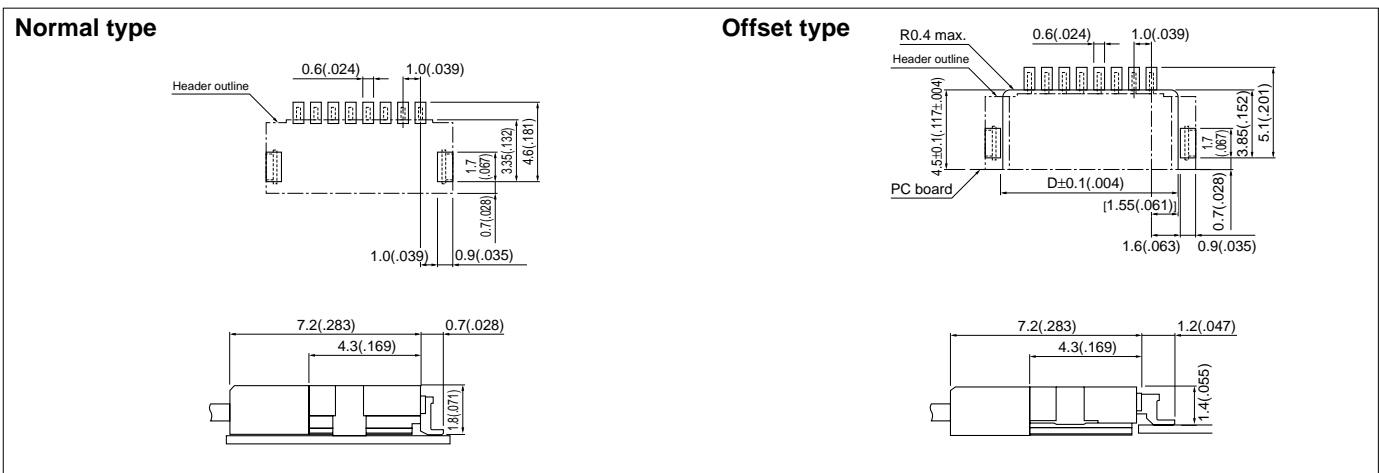
## Taping specifications



Circuits	Dimensions mm(in.)			Reel dimensions mm(in.)		Qty / reel
	F	S	W	W1		
14	11.5(.453)	-	24.0 (.945)	25.5(1.004)		4,500
16	14.2(.559)	28.4(1.118)	32.0(1.260)	33.5(1.319)		4,500
20	20.2(.795)	40.4(1.591)	44.0(1.732)	45.5(1.791)		4,500

Note: 1. Specifications conform to JIS C 0806. The tape width, connector loading recess square dimensions, etc. are determined by the number of circuits and external shape of the connector to be loaded.  
 2. Specifications are subject to change without prior notice.

## PC board layout (viewed from component side) and Assembly layout



Note: 1. Tolerances are non-Cumulative:  $\pm 0.05\text{mm}$  ( $\pm .002''$ ) for all centers.  
 2. Hole dimensions differ according to the kind of PC board and piercing method. The dimensions above should serve as a guide line.  
 Contact JST for details.