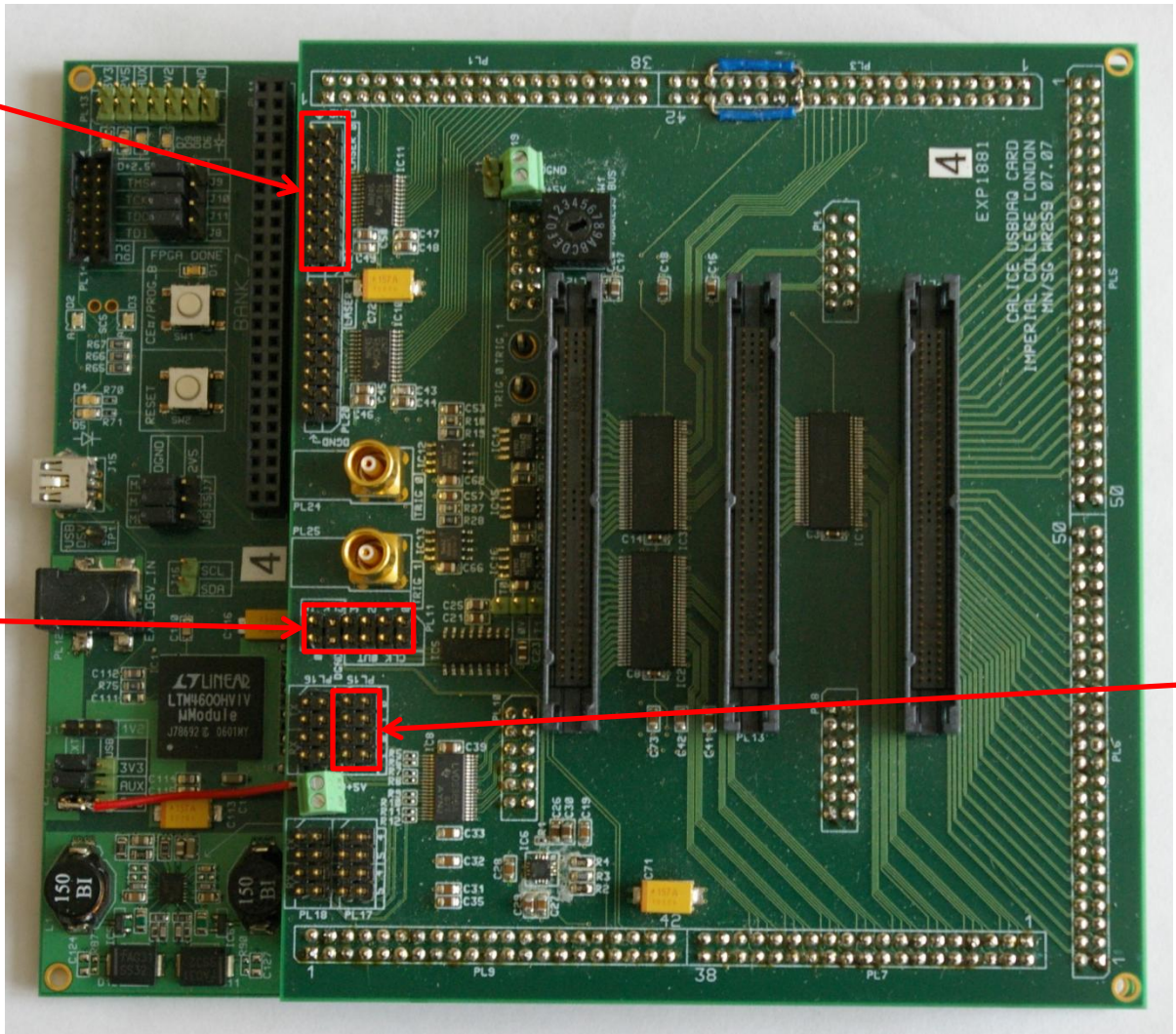


# Standard I/O Connectors

PL21

PL11

PL15

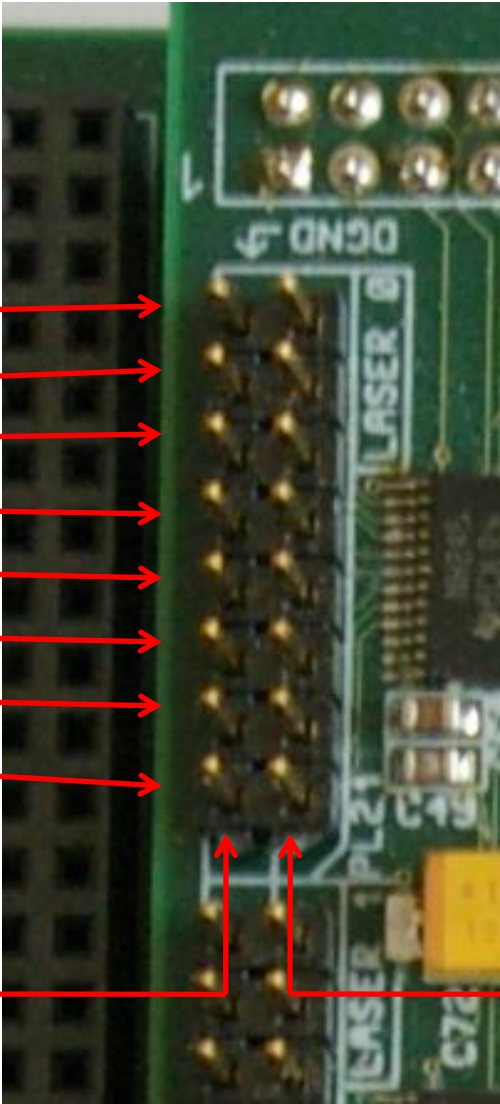


# PL21: Output signals

All TTL

- Pair 7, Unknown →
- Pair 6, Bunch train active →
- Pair 5, Unknown →
- Pair 4, Unknown →
- Pair 3, Unknown →
- Pair 2, Unknown →
- Pair 1, Unknown →
- Pair 0, Unknown →

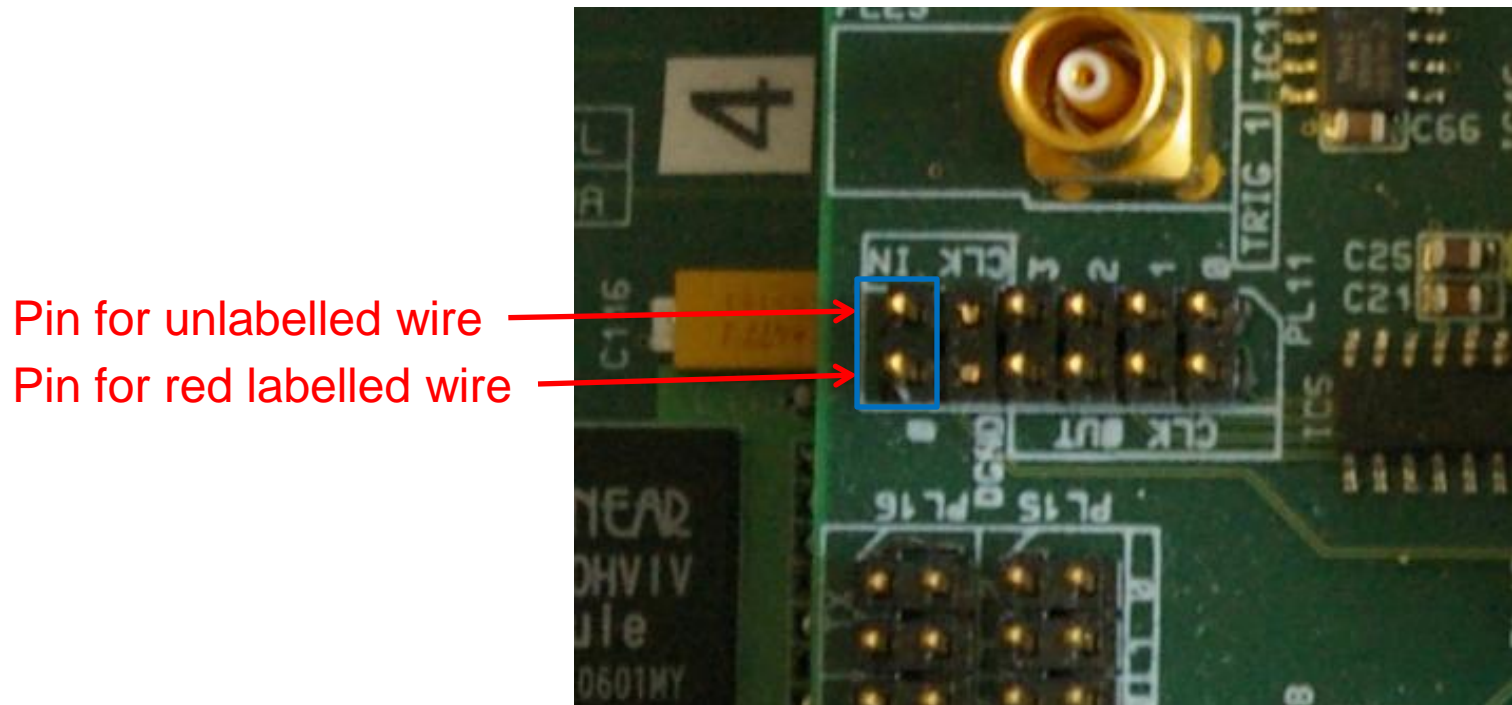
Gnd →      +5/Gnd →



# PL11: Input for external clock

LVDS, polarity not known

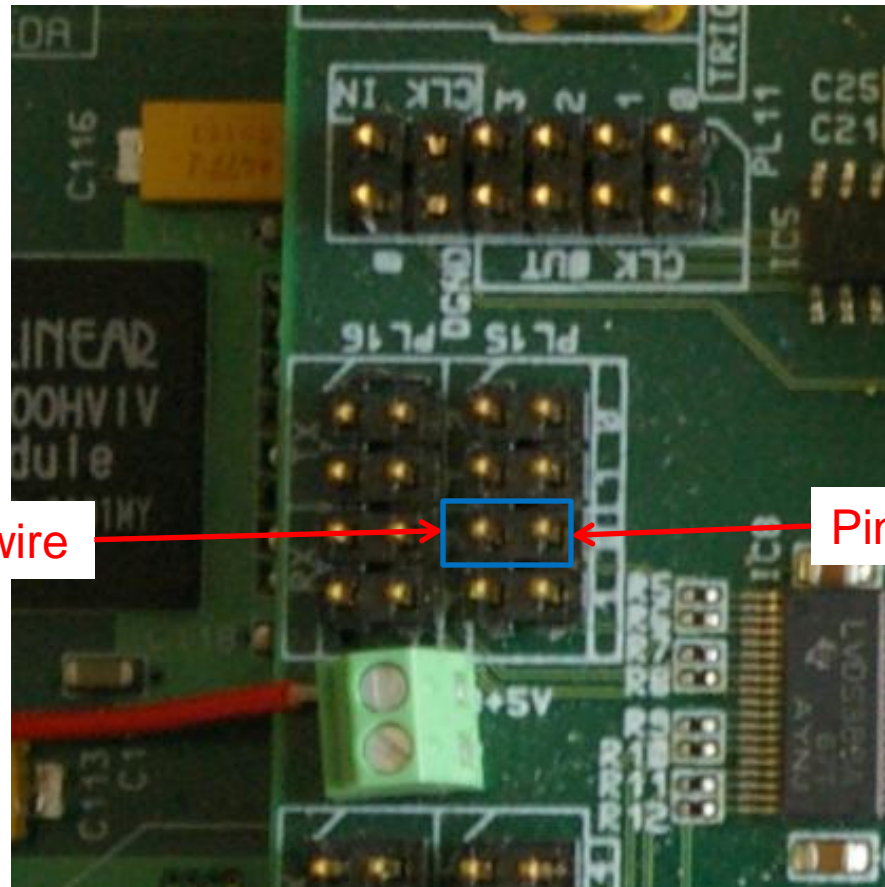
Even-numbered wire pairs



# PL15: Input for external bunch train start

LVDS, polarity not known

Odd-numbered wire pairs



Pin for unlabelled wire

Pin for red labelled wire