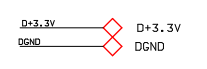
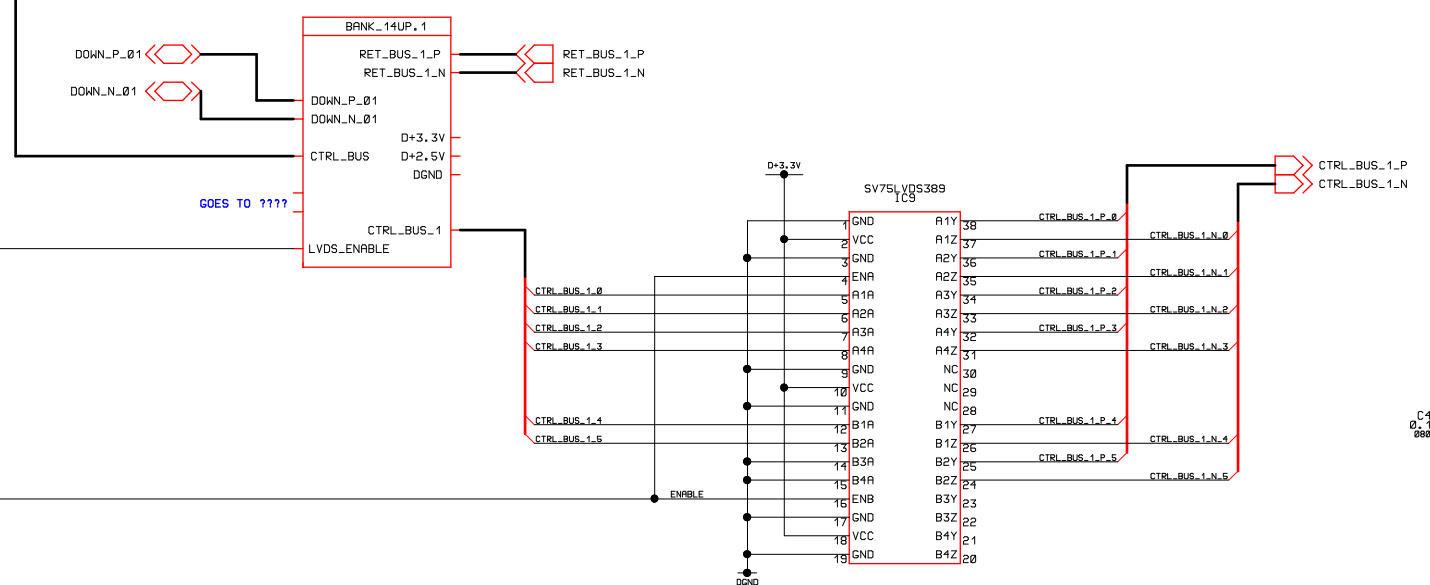


C17+C20 values swapped for ease of assembly
Sarah 31.7.07



HEP, Imperial College, London	
Title: USBDAQ/CALICE	Engineer:
SubTitle: LVDS_DRIVERS	Drawn by:
Sheet: of:	Ver: v12b4.rxl
	Date: 3.7.07