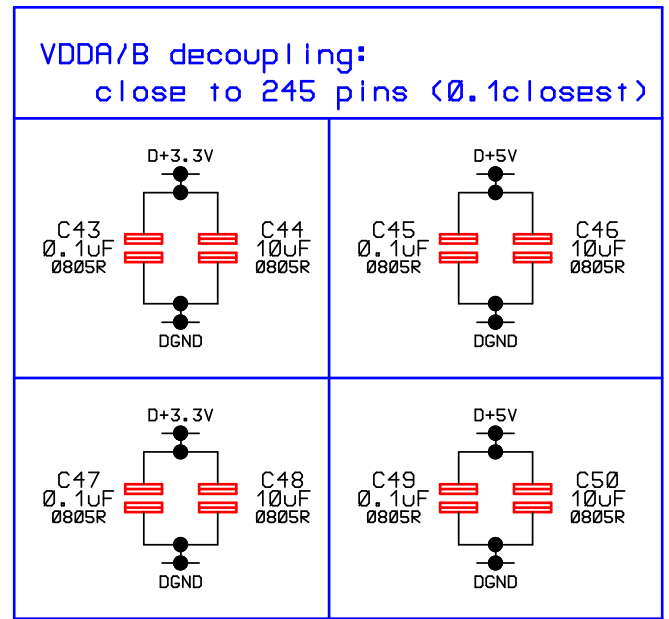
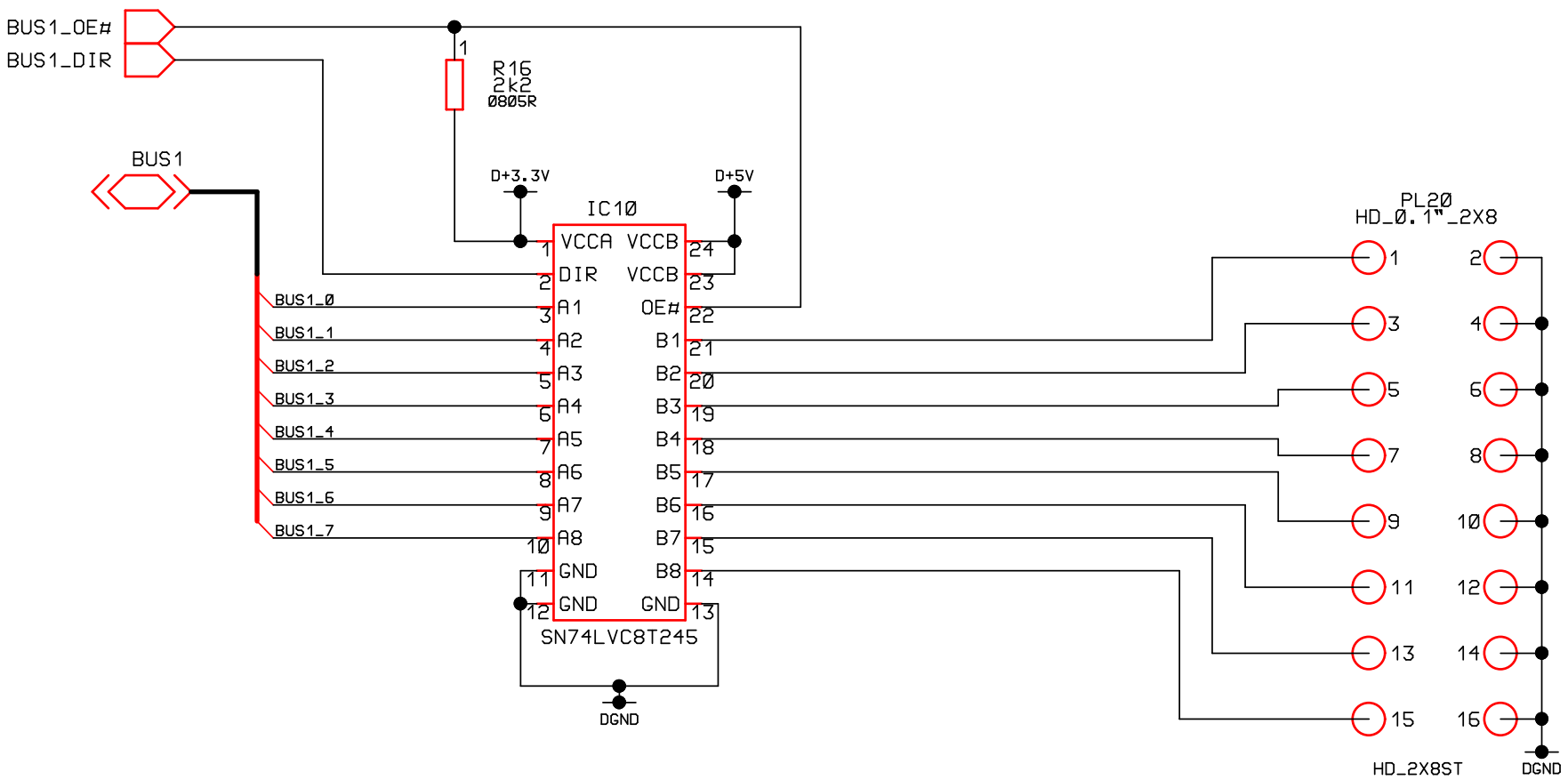
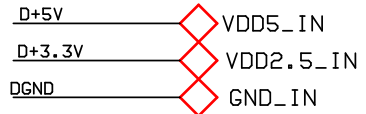
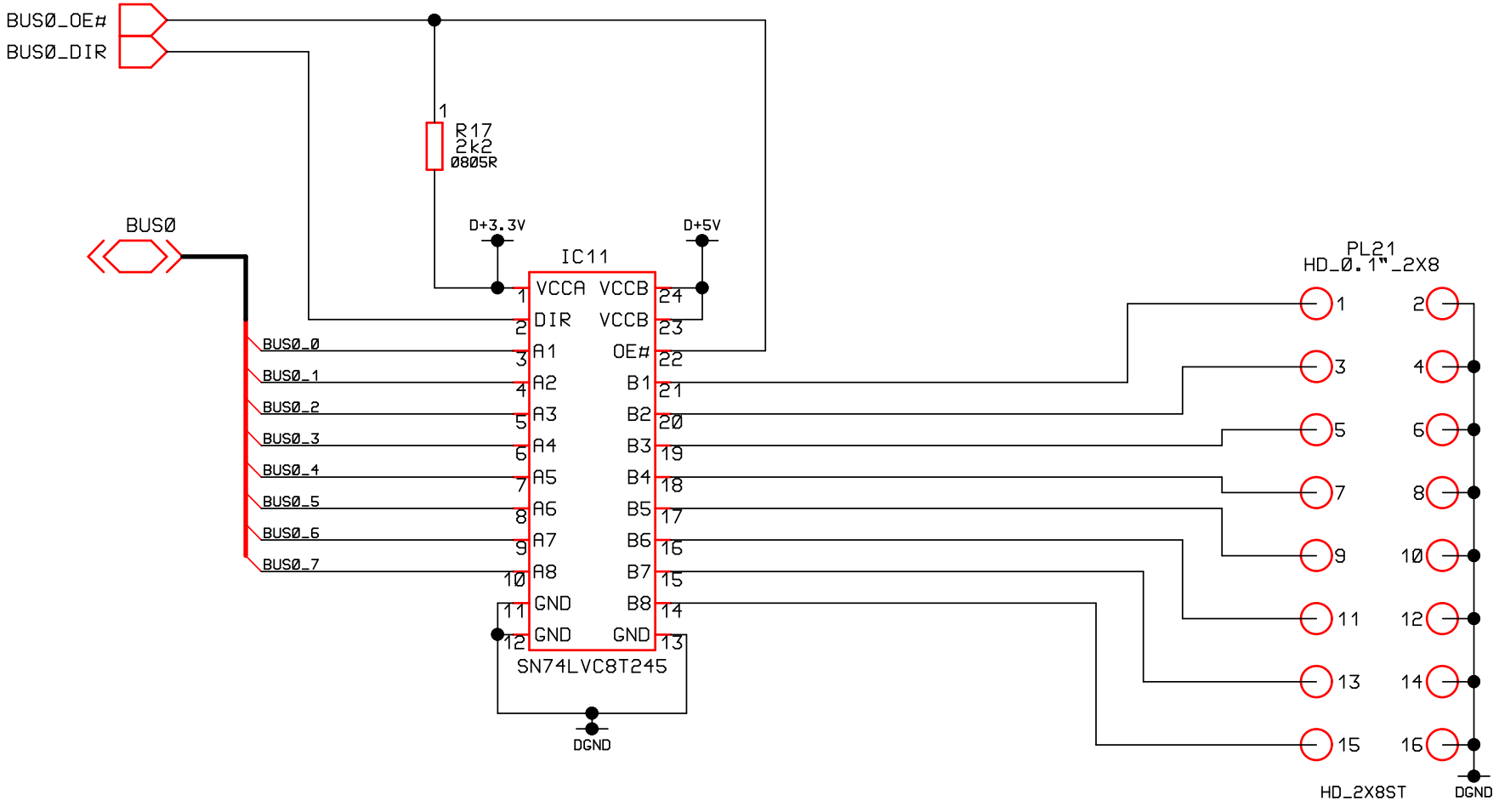


LASER_INTERFACE



NB: PLX + PLY = IDC pins please (not socket)



HEP, Imperial College, London		
Title: USBDAQ/CALICE	Engineer:	
Subtitle:	Drawn by:	
LASER INTERFACE	Ver: v12b4.rxl	
Sheet:	of:	Date: 3.7.07