

1 2 3 4 5 6 7 8 9 10 11

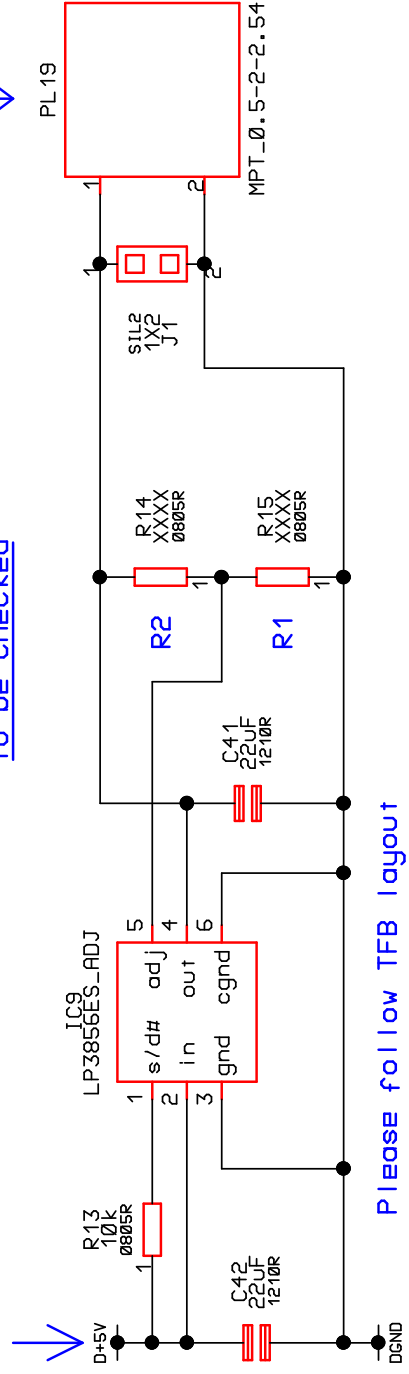
GEN\_4V

power to B'ham board?

[33k closest = 0k?]

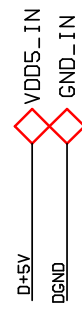
D+5V source?

$(V_{adj}/V_{sense}) - 1 = R2/R1$   
 For 4V :  $(4/1.215) - 1 = 3.289$   
 Setting R1 = 10k gives R2 = 32.9k  
to be checked



PLEASE follow TFB layout

RESISTOR VALUES?



HEP, Imperial College, London	
Title: USBDAQ/CALICE	Engineer:
Subtitle: GEN_4V	Drawn by:
Sheet: of:	Ver: v11.rxl
	Date: 21.6.07

1 2 3 4 5 6 7 8 9 10 11

A B C D E F G