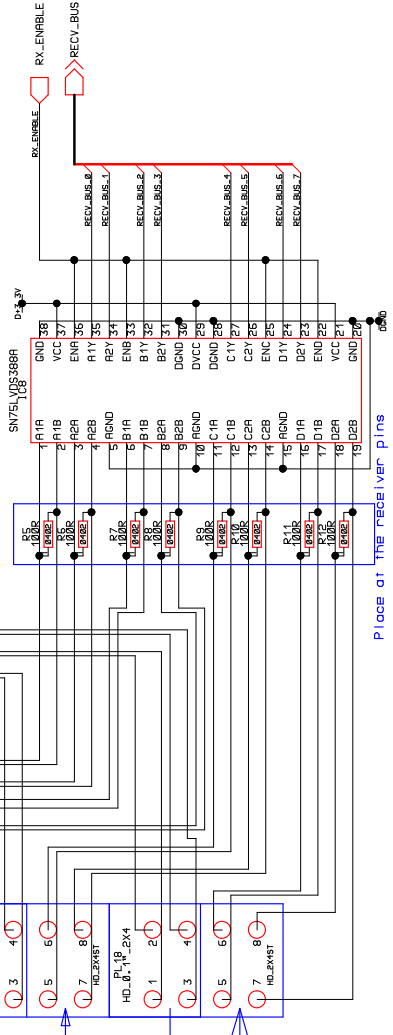
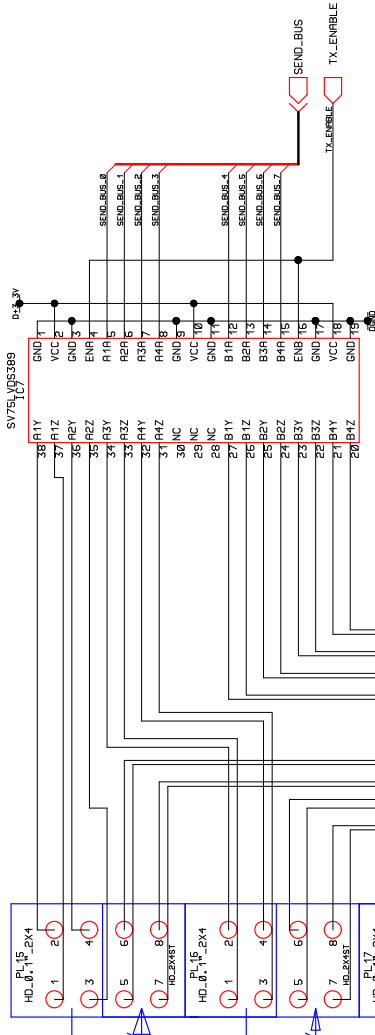
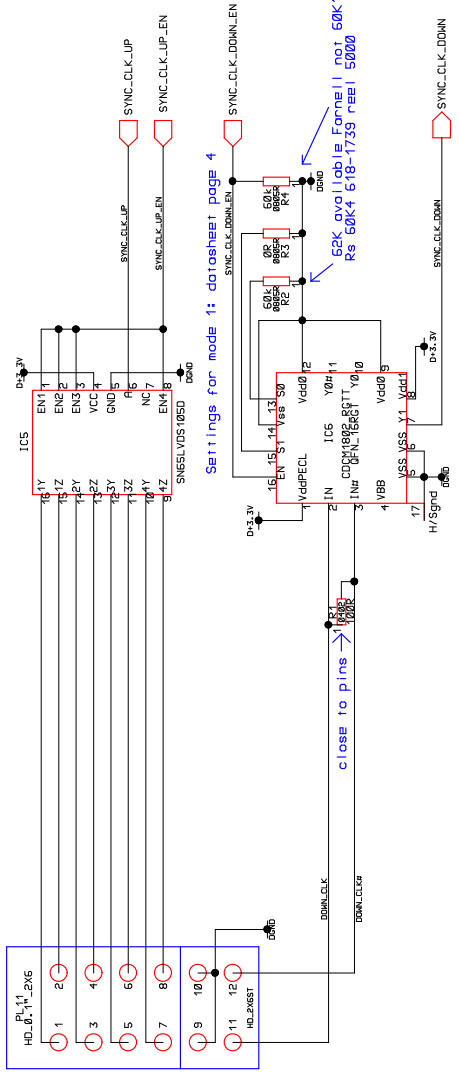


SYNC_INTERFACE

Pins rather than sockets on this sheet

Upstream Clocks

Downstream Clock



Place of the receiver pins



HEP, Imperial College, London	
Title: USBDB/CALICE	Eng Inmer-1
SubTitle: SYNC INTERFACE	Drawn by:1
Sheet:1	Ver: v11.r.x1
of:1	Date: 21.6.07