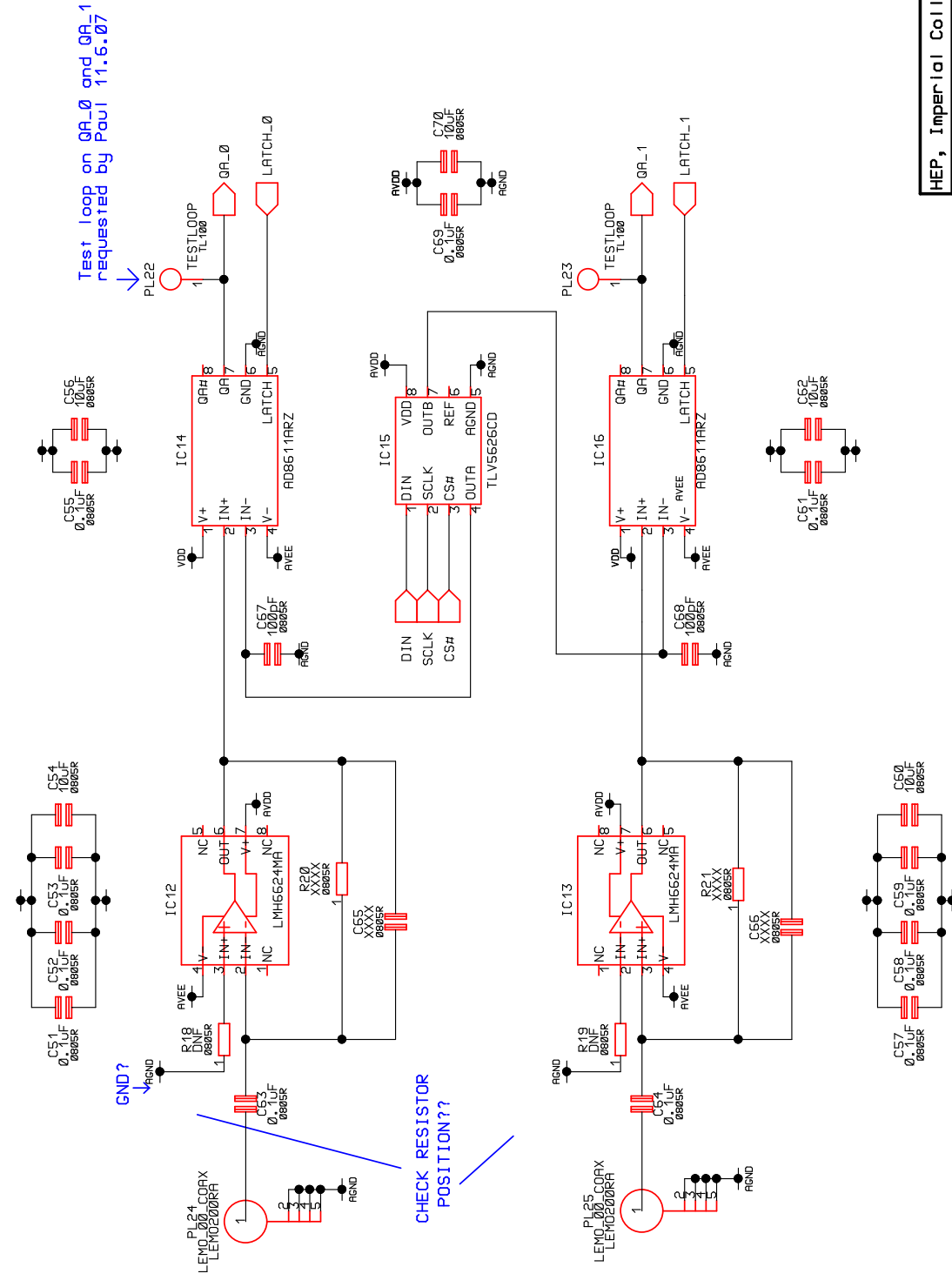


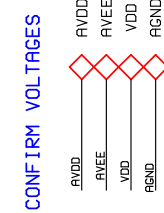
TRIGGER_INPUT



Test loop on QA_0 and QA_1 requested by Paul 11.6.07

GND?

CHECK RESISTOR POSITION??



HEP, Imperial College, London	
Title: USBDAQ/CALICE	Engineer:
Subtitle: TRIGGER_INPUT	Drawn by: v11.rxi
Sheet: of:	Date: 21.6.07