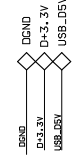
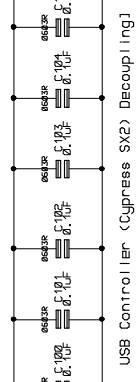
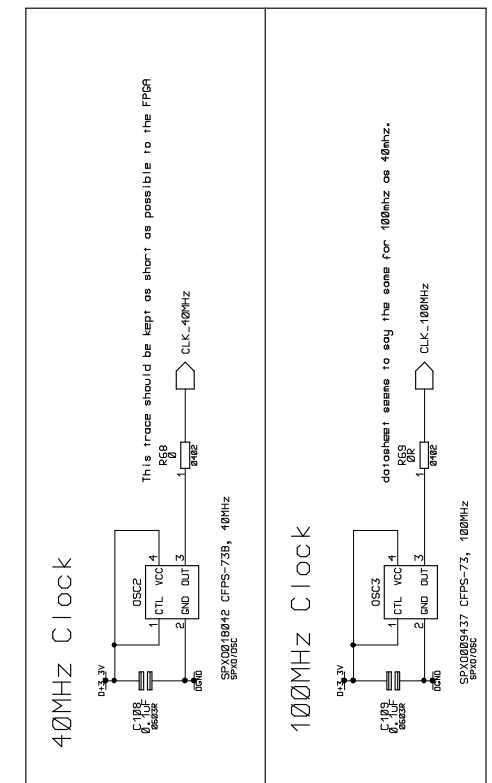
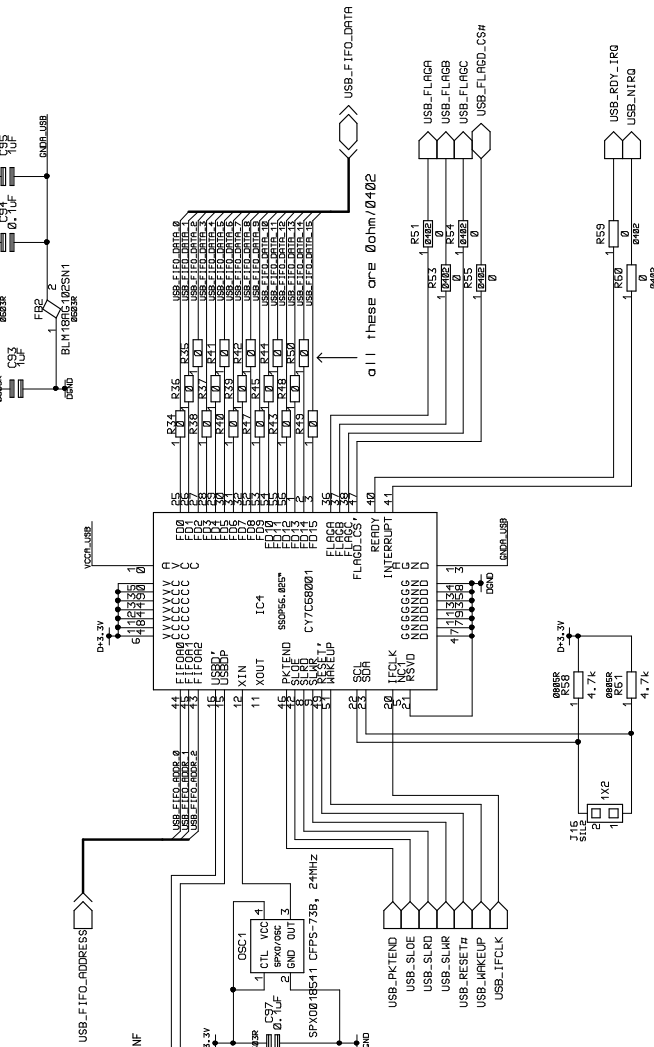


USB2_CLKS

USB 2.0
 [LDRQ USB X = 1.185"]
 50 Ohm +/- 10% differential trace for DP/DM
 NOTE: Must read PCB layout guidelines in SX2 manual (p.49)



HEP, Imperial College, London	
Title: USBDRQ/MR238	Engineer:
Subtitle:	Drawn by:
v0.2c	12.12.06
Sheet: X	of: X
Date: 21.11.05	